

FEATURES

- Low profile package
- Ideal for automated placement
- Glass passivated chip junction
- High forward surge capability
- Super Fast reverse recovery time
- Meets MSL level 1, per J-STD-020, LF maximum peak of 260 °C

TYPICAL APPLICATIONS

For use in high frequency rectification of power supplies, inverters, converters, and freewheeling diodes for consumer and telecommunication.

MECHANICAL DATA

- **Package:** DO-214AA (SMB)
Molding compound meets UL 94 V-0 flammability rating, RoHS-compliant, halogen-free
- **Terminals:** Tin plated leads, solderable per J-STD-002 and JESD22-B102
- **Polarity:** Cathode line denotes the cathode end

MAXIMUM RATINGS (T_a=25°C Unless otherwise specified)

PARAMETER	SYMBOL	UNIT	ES2A	ES2B	ES2C	ES2D	ES2F	ES2G	ES2H	ES2J	ES2K
Device marking code			ES2A	ES2B	ES2C	ES2D	ES2F	ES2G	ES2H	ES2J	ES2K
Repetitive peak reverse voltage	V _{RRM}	V	50	100	150	200	300	400	500	600	800
Average rectified output current @60Hz sine wave, resistance load, TL (Fig.1)	I _o	A	2.0								
Surge(non-repetitive)forward current @60Hz half-sine wave, 1 cycle, T _a =25°C	I _{FSM}	A	50								
Storage temperature	T _{stg}	°C	-55~+150								
Junction temperature	T _j	°C	-55~+150								

ELECTRICAL CHARACTERISTICS (T_a=25°C Unless otherwise specified)

PARAMETER	SYMBOL	UNIT	TEST CONDITIONS	ES2A	ES2B	ES2C	ES2D	ES2F	ES2G	ES2H	ES2J	ES2K
Maximum instantaneous forward voltage drop per diode	V _F	V	I _{FM} =2.0A	0.95			1.3		1.7		1.85	
Maximum reverse recovery time	T _{RR}	ns	I _F =0.5A, I _R =1.0A, I _{rr} =0.25A	35								
Maximum DC reverse current at rated DC blocking voltage per diode @ V _{RM} =V _{RRM}	I _{RRM}	µA	T _a =25°C	5.0								
			T _a =125°C	100								

THERMAL CHARACTERISTICS (T_a=25°C Unless otherwise specified)

PARAMETER	SYMBOL	UNIT	ES2A	ES2B	ES2C	ES2D	ES2F	ES2G	ES2H	ES2J	ES2K
Thermal resistance	R _{θJ-A} ⁽¹⁾	°C/W	85								
	R _{θJ-L} ⁽¹⁾		22								

Note: Thermal resistance from junction to ambient and from junction to lead mounted on P.C.B. with 0.3" x 0.3" (8.0 mm x 8.0 mm) copper pad areas

CHARACTERISTICS (TYPICAL)

FIG1: Io-TL Curve

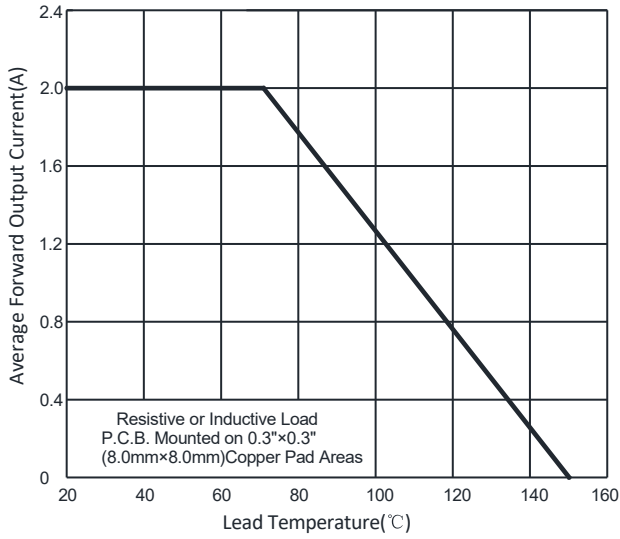


FIG2: Surge Forward Current Capability

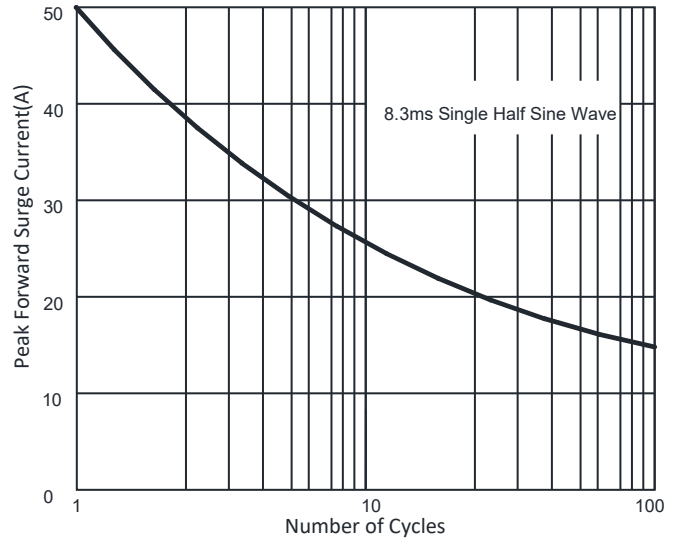


FIG3: Forward Voltage

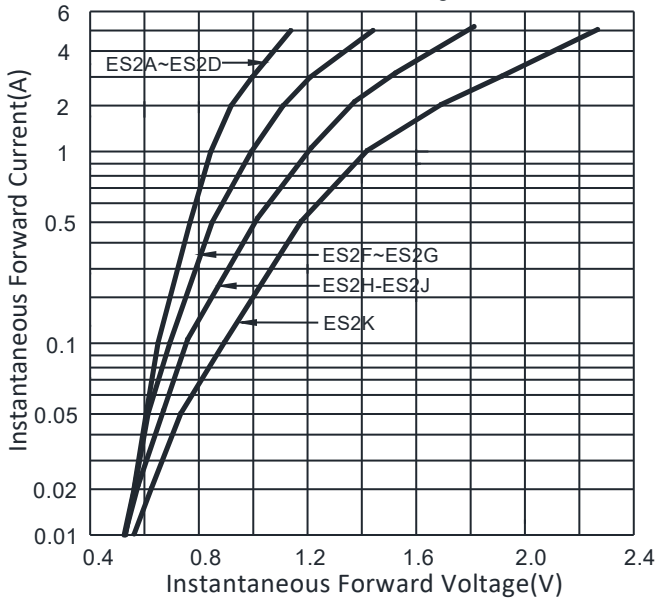


FIG4: Typical Reverse Characteristics

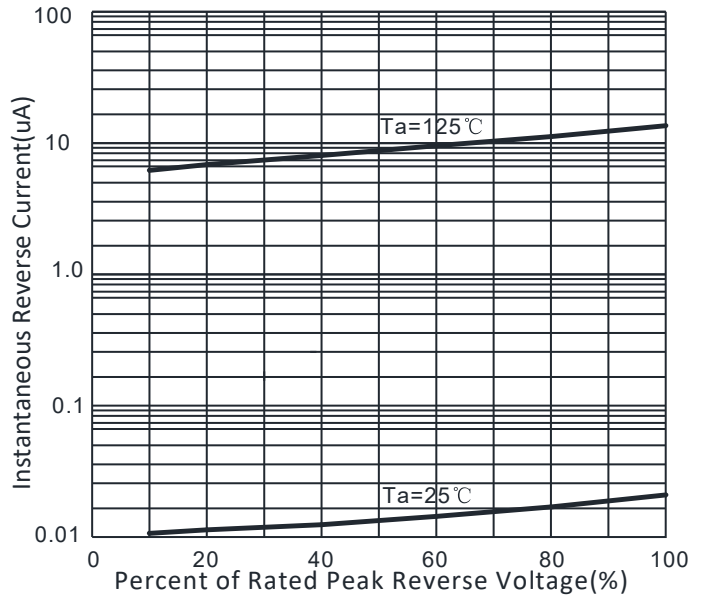
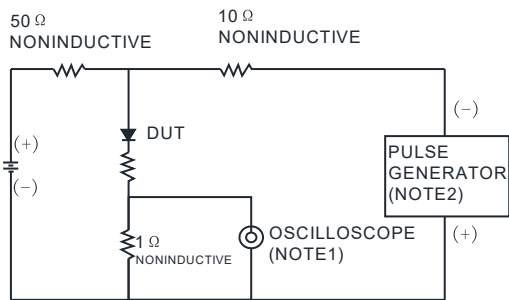
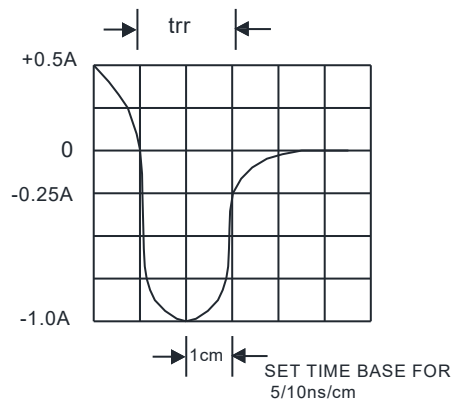


FIG.5: Diagram of circuit and Testing wave form of reverse recovery time



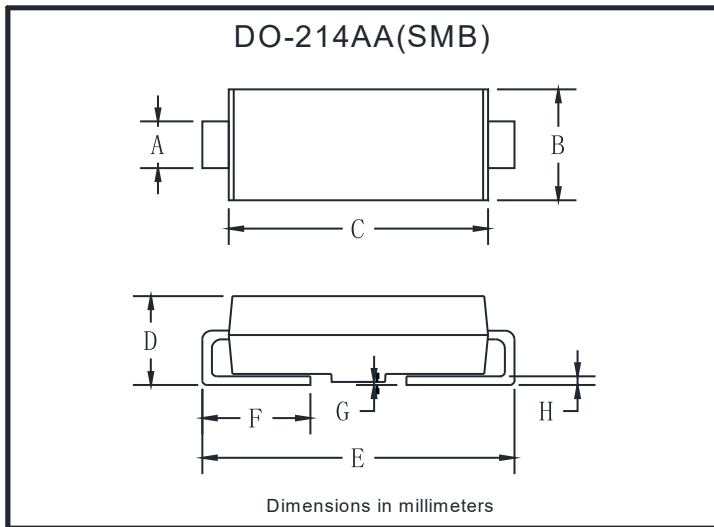
- NOTES:
1. Rise Time=7ns max .Input Impedance=1MΩ 22pf
2. Rise Time=10ns max. Source Impedance=50Ω



■ **PACKAGING INFORMATION**

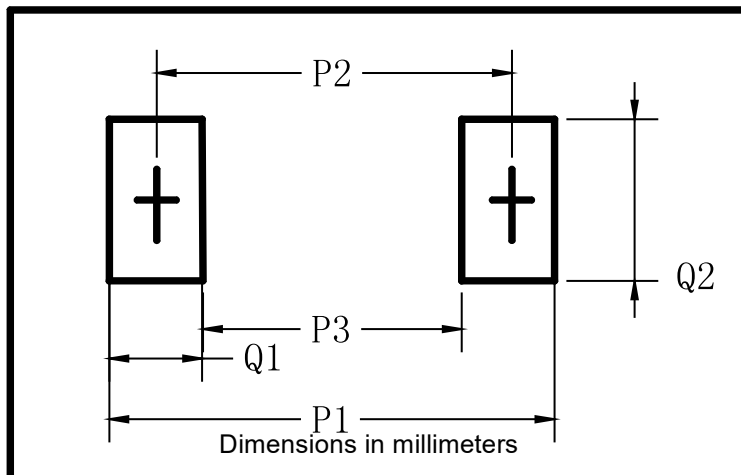
PREFERED P/N	PACKING CODE	UNIT WEIGHT(g)	MINIMUM PACKAGE(pcs)	INNER BOX QUANTITY(pcs)	OUTER CARTON QUANTITY(pcs)	DELIVERY MODE
ES2A-ES2K	F1	Approximate 0.096	3000	6000	48000	13" reel
ES2A-ES2K	F2	Approximate 0.096	750	3000	24000	7" reel
ES2A-ES2K	F3	Approximate 0.096	500	2000	16000	7" reel

■ **OUTLINE DIMENSIONS**



DO-214AA(SMB)		
Dim	Min	Max
A	1.85	2.15
B	3.30	3.94
C	4.25	4.75
D	1.99	2.61
E	5.21	5.59
F	0.90	1.41
G	0.10	0.20
H	0.15	0.31

■ **SUGGESTED PAD LAYOUT**



DO-214AA(SMB)	
Dim	Millimeters
P1	6.8
P2	4.3
P3	1.8
Q1	2.5
Q2	2.3