

■ FEATURES

- Ultrafast reverse recovery time
- Low leakage current
- Low switching losses, high efficiency
- High forward surge capability
- Solder dip 260 °C max. 10 s, per JESD 22-B106

■ TYPICAL APPLICATIONS

For use in high frequency rectification and freewheeling application in switching mode converters and inverters for consumer, computer and telecommunication.

■ MECHANICAL DATA

- **Package:** DO-214AB (SMC)
Molding compound meets UL 94 V-0 flammability rating, RoHS-compliant
- **Terminals:** Tin plated leads, solderable per J-STD-002 and JESD22-B102
- **Polarity:** Color band denotes the cathode end

■ MAXIMUM RATINGS (T_a=25°C Unless otherwise specified)

PARAMETER	SYMBOL	UNIT	ES3A	ES3B	ES3C	ES3D	ES3F	ES3G	ES3H	ES3J	ES3K
Device marking code			ES3A	ES3B	ES3C	ES3D	ES3F	ES3G	ES3H	ES3J	ES3K
Repetitive Peak Reverse Voltage	V _{RRM}	V	50	100	150	200	300	400	500	600	800
Average Rectified Output Current @60Hz sine wave, Resistance load, TL (FIG.1)	I _O	A	3.0								
Forward Surge Current (Non-repetitive) @60Hz Half-sine wave, 1 cycle, T _a =25°C	I _{FSM}	A	100								
Storage Temperature	T _{stg}	°C	-55 ~+150								
Junction Temperature	T _j	°C	-55 ~+150								

■ ELECTRICAL CHARACTERISTICS (T_a=25°C Unless otherwise specified)

PARAMETER	SYMBOL	UNIT	TEST CONDITIONS	ES3A	ES3B	ES3C	ES3D	ES3F	ES3G	ES3H	ES3J	ES3K
Maximum instantaneous forward voltage drop per diode	V _F	V	I _{FM} =3.0A	0.95				1.3	1.7	1.85		
Maximum reverse recovery time	T _{RR}	ns	I _F =0.5A, I _R =1.0A, I _{rr} =0.25A	35								
Maximum DC reverse current at rated DC blocking voltage per diode	I _R	µA	T _a =25°C	5								
			T _a =125°C	100								
Typical junction capacitance	C _j	pF	Measured at 1MHz and Applied Reverse Voltage of 4.0 V.D.C.	60				37	23	34		

■ THERMAL CHARACTERISTICS (T_a=25°C Unless otherwise specified)

PARAMETER	SYMBOL	UNIT	ES3A	ES3B	ES3C	ES3D	ES3F	ES3G	ES3H	ES3J	ES3K
Thermal Resistance	junction to ambient	R _{θJ-A}	50 ¹⁾								
	junction to lead	R _{θJ-L}	15 ¹⁾								

Note: Thermal resistance from junction to ambient and from junction to lead mounted on P.C.B. with 0.6" x 0.6" (16 mm x 16 mm) copper pad areas

PACKAGING INFORMATION

PREFERRED P/N	PACKAGE CODE	UNIT WEIGHT(g)	MINIMUM PACKAGE(pcs)	INNER BOX QUANTITY(pcs)	OUTER CARTON QUANTITY(pcs)	DELIVERY MODE
ES3A-ES3K	F1	Approximate 0.248	3000	6000	42000	13" reel

CHARACTERISTICS (TYPICAL)

FIG1: I_o -TL Curve

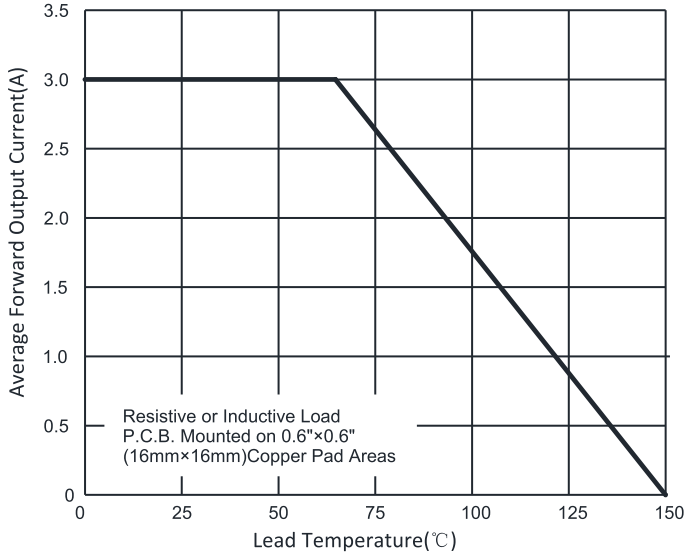


FIG2: Surge Forward Current Capability

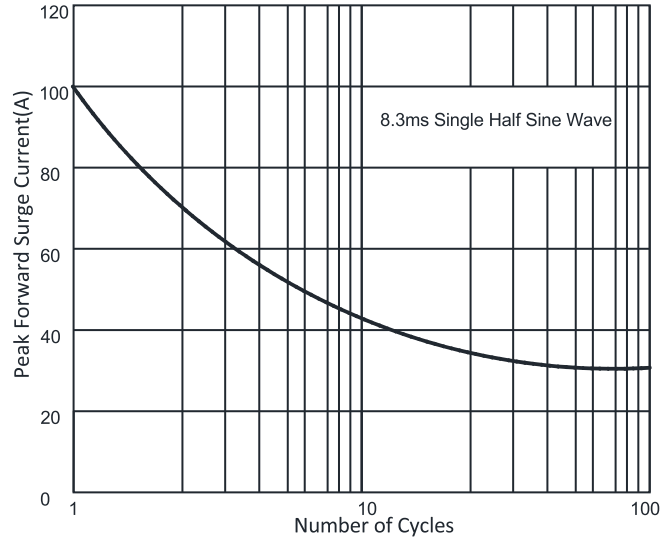


FIG3: Typical Forward Voltage

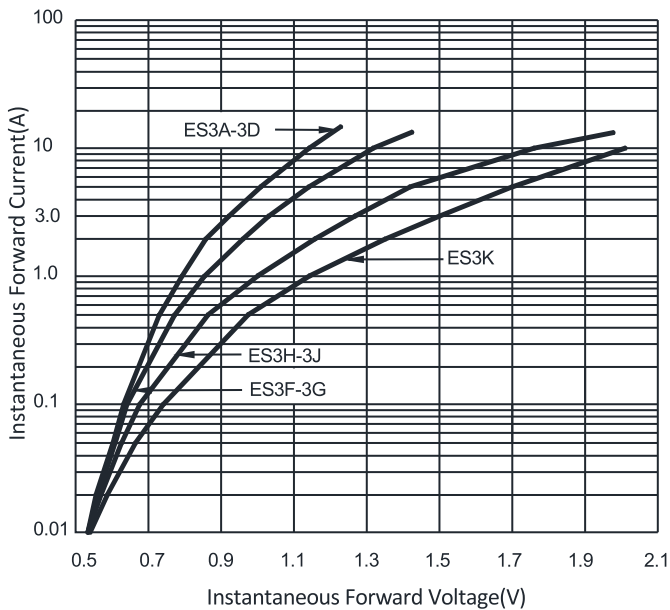


FIG4: Typical Reverse Characteristics

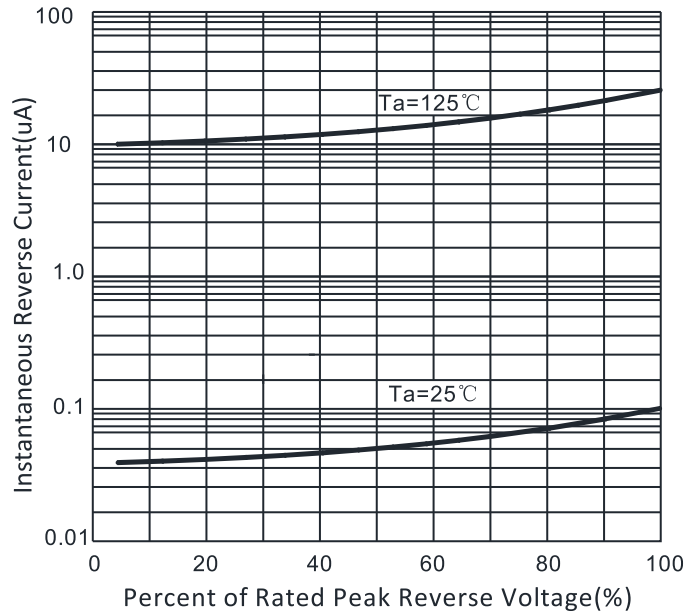
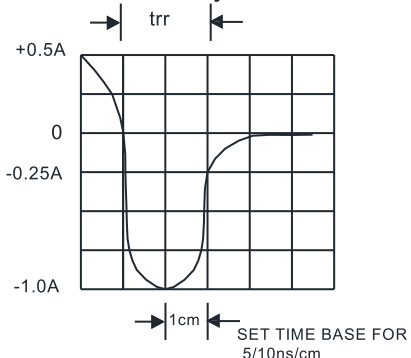
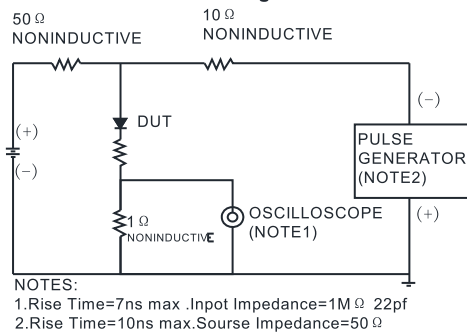
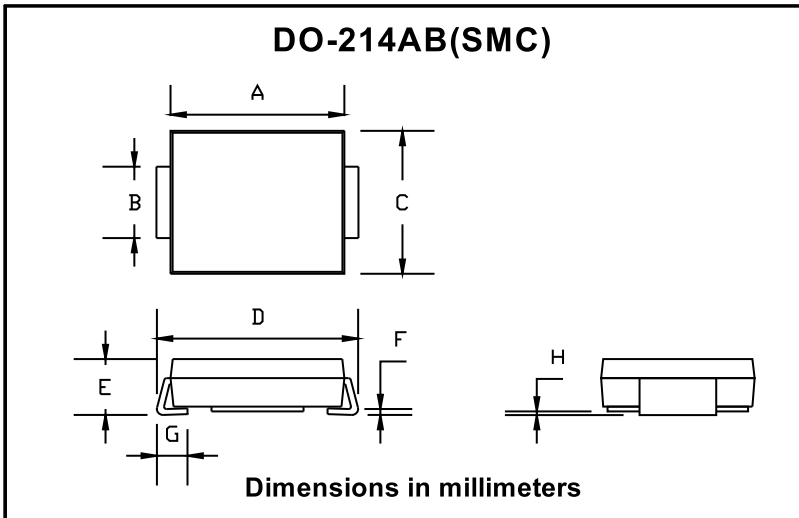


FIG.5: Diagram of circuit and Testing wave form of reverse recovery time

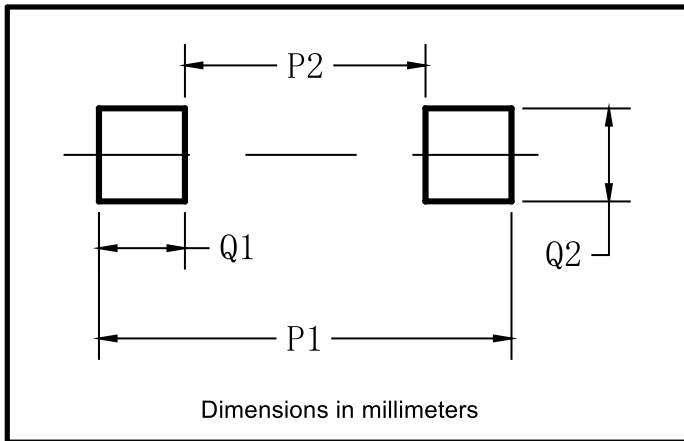


■ **OUTLINE DIMENSIONS**



DO-214AB (SMC)		
Dim	Min	Max
A	6.60	7.11
B	2.85	3.27
C	5.59	6.22
D	7.75	8.13
E	1.99	2.61
F	0.15	0.31
G	0.76	1.52
H	0.10	0.20

■ **SUGGESTED PAD LAYOUT**



DO-214AB (SMC)	
Dim	Min
P1	9.9
P2	3.84
Q1	3.03
Q2	3.82