

■ FEATURES

- Low profile package
- Ideal for automated placement
- Glass passivated chip junction
- High forward surge capability
- Super Fast reverse recovery time
- Meets MSL level 1, per J-STD-020, LF maximum peak of 260 °C

■ TYPICAL APPLICATIONS

For use in high frequency rectification of power supplies, inverters, converters, and freewheeling diodes for consumer and telecommunication.

■ MECHANICAL DATA

- **Package:** SOD-123FL
Molding compound meets UL 94 V-0 flammability rating, RoHS-compliant, halogen-free
- **Terminals:** Tin plated leads, solderable per J-STD-002 and JESD22-B102
- **Polarity:** Cathode line denotes the cathode end

■ MAXIMUM RATINGS (T_a=25°C Unless otherwise specified)

PARAMETER	SYMBOL	UNIT	U1A	U1B	U1C	U1D	U1F	U1G	U1H	U1J
Device marking code			U1A	U1B	U1C	U1D	U1F	U1G	U1H	U1J
Repetitive peak reverse voltage	VRRM	V	50	100	150	200	300	400	500	600
Average rectified output current @60Hz sine wave, Resistance load, TL (FIG.1)	I _O	A	1.0							
Surge(non-repetitive)forward current @ 60Hz Half-sine wave, 1 cycle, T _a =25°C	I _{FSM}	A	30							
Storage temperature	T _{stg}	°C	-55~+150							
Junction temperature	T _j	°C	-55 ~ +150							

■ ELECTRICAL CHARACTERISTICS (T_a=25°C Unless otherwise specified)

PARAMETER	SYMBOL	UNIT	TEST CONDITIONS	U1A	U1B	U1C	U1D	U1F	U1G	U1H	U1J	
Maximum instantaneous forward voltage drop per diode	V _F	V	I _F M=1.0A	0.92				1.25		1.7		
Maximum reverse recovery time	TRR	ns	I _F =0.5A, I _r =1.0A, I _r =0.25A	25						35		
Maximum DC reverse current at rated DC blocking voltage per diode @ VRM=VRRM	IRRM	µA	T _a =25°C	5								
			T _a =100°C	50								

■ THERMAL CHARACTERISTICS (T_a=25°C Unless otherwise specified)

PARAMETER	SYMBOL	UNIT	U1A	U1B	U1C	U1D	U1F	U1G	U1H	U1J
Typical Thermal resistance	R _{θJ-A} (1)	°C/W	65 ⁽¹⁾							
	R _{θJ-L} (1)		22 ⁽¹⁾							

Note:
(1) Thermal resistance between junction and ambient and between junction and lead mounted on P.C.B with 3mm*3mm copper pad areas.

■ **CHARACTERISTICS (TYPICAL)**
FIG.1: Io-TL Curve

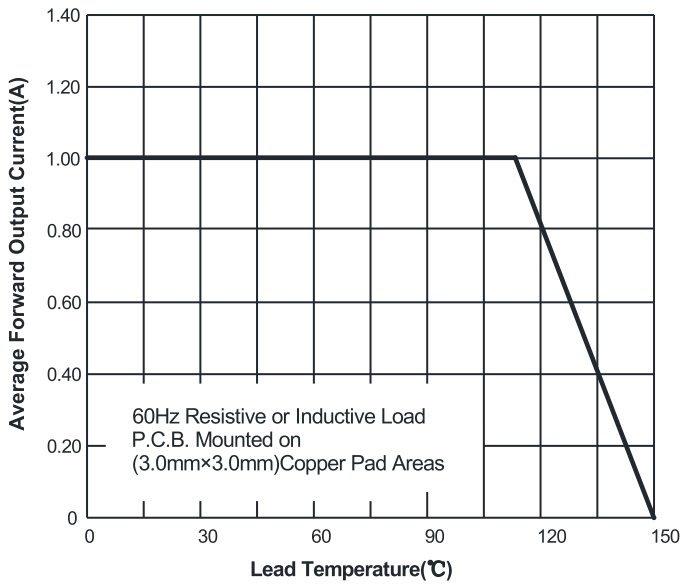


FIG.2: Forward Surge Current Capability

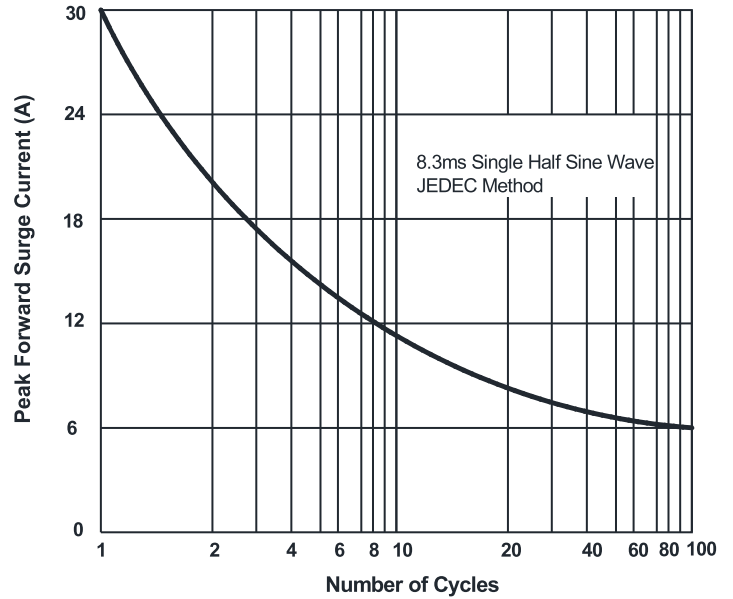


FIG.3: Typical Forward Characteristics

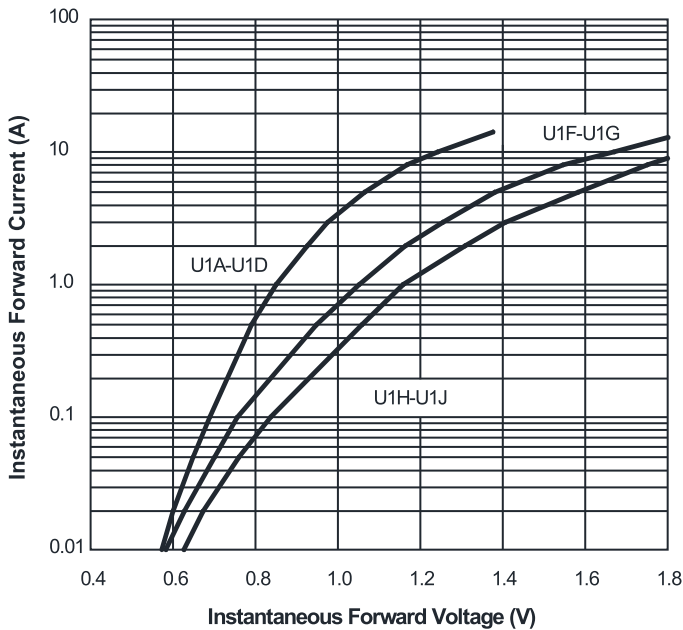


FIG.4: Typical Reverse Characteristics

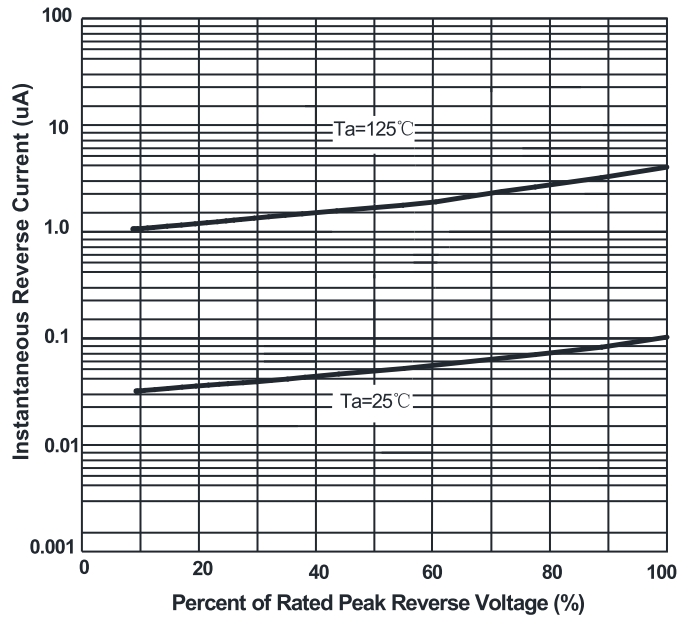
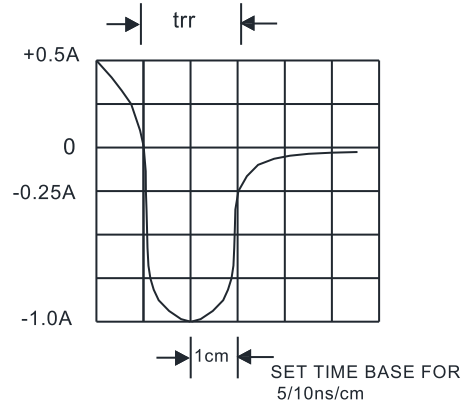
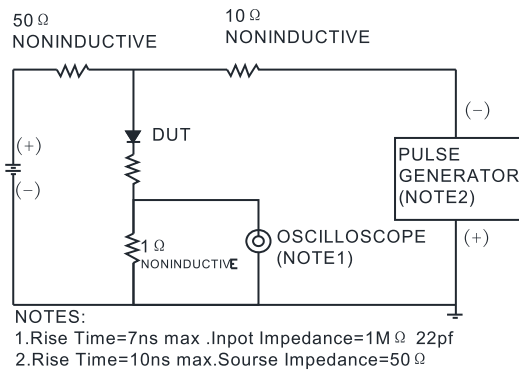


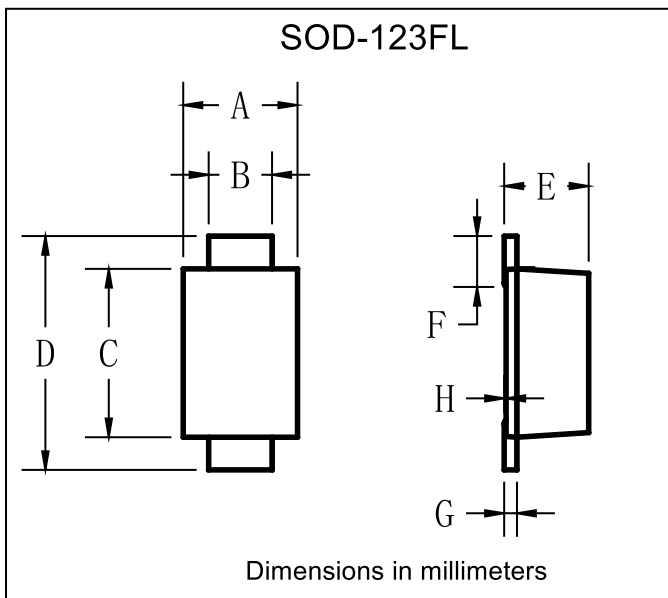
FIG.5: Diagram of circuit and Testing wave form of reverse recovery time



■ **PACKAGING INFORMATION**

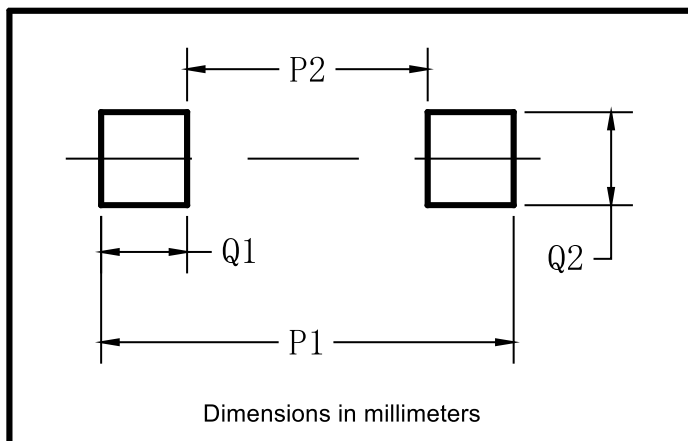
PREFERRED P/N	PACKING CODE	UNIT WEIGHT(g)	MINIMUM PACKAGE(pcs)	INNER BOX QUANTITY(pcs)	OUTER CARTON QUANTITY(pcs)	DELIVERY MODE
U1A THRU U1J	F1	Approximate 0.0169	3000	15000	120000	7" reel
U1A THRU U1J	F2	Approximate 0.0169	2500	12500	100000	7" reel
U1A THRU U1J	F3	Approximate 0.0169	10000	30000	210000	13" reel
U1A THRU U1J	F4	Approximate 0.0169	3000	27000	108000	7" reel
U1A THRU U1J	F5	Approximate 0.0169	10000	20000	160000	13" reel
U1A THRU U1J	F6	Approximate 0.0169	3000	12000	60000	7" reel

■ **OUTLINE DIMENSIONS**



SOD-123FL		
Dim	Min	Max
A	1.60	1.90
B	0.90	1.10
C	2.55	2.85
D	3.60	3.90
E	1.00	1.20
F	0.40	0.90
G	0.10	0.25
H	0.02	0.05

■ **SUGGESTED PAD LAYOUT**



SOD-123FL	
Dim	Millimeters
P1	3.90
P2	1.90
Q1	1.00
Q2	1.50