

■ **FEATURES**

- High reliability
- Very sharp reverse characteristic
- Low reverse current level
- Zener Voltage 2.4V~47V

■ **MECHANICAL DATA**

- **Package:** SOD-123
- **Terminals:** Tin plated leads, solderable 20 J-STD-002 and JESD22-B102
- **Polarity:** Cathode line denotes the cathode end

■ **MAXIMUM RATINGS** ($T_a=25^{\circ}\text{C}$ Unless otherwise specified)

PARAMETER	SYMBOL	UNIT	VALUE
Power Dissipation	P_D	mW	500
Storage Temperature Range	T_{stg}	$^{\circ}\text{C}$	-55~+150
Maximum Junction Temperature	T_J	$^{\circ}\text{C}$	-55~+150
Maximum Regulator Current	I_{ZM}	mA	P_D / V_Z
Maximum Forward Voltage ($I_F=10\text{mA dc}$)	V_F	V	0.9
Thermal Resistance Junction to Ambient Air*	$R_{\theta JA}$	$^{\circ}\text{C} / \text{W}$	250

*Device mounted on ceramic PCB: 7.6mm×9.4mm×0.87mm with pad areas 25mm²

■ **PACKAGING INFORMATION**

PREFERRED P/N	PACKING CODE	UNIT WEIGHT(g)	MINIMUM PACKAGE(pcs)	INNER BOX QUANTITY(pcs)	OUTER CARTON QUANTITY(pcs)	DELIVERY MODE
MMSZ5221B THRU MMSZ5261B	F2	Approximate 0.011	3000	30000	120000	7" reel

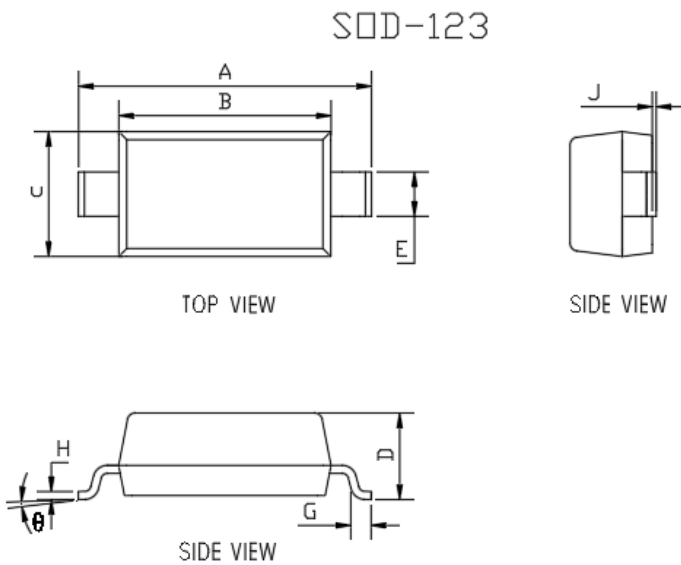
■ **ELECTRICAL CHARACTERISTICS** ($T_a=25^\circ\text{C}$ Unless otherwise specified)

Type Number	Device Marking	$V_z(V)$ at I_{zI}			$Z_{zI}(\Omega)$		$Z_{zK}(\Omega)$		$I_R(\mu A)@V_R$	
		min.	typ.	max.	$I_{zI}(mA)$	max.	$I_{zK}(mA)$	max.	μA	$V_R(V)$
MMSZ5221B	C1	2.28	2.4	2.52	20	30	0.25	1200	100	1.0
MMSZ5222B	C2	2.38	2.5	2.63	20	30	0.25	1250	100	1.0
MMSZ5223B	C3	2.57	2.7	2.84	20	30	0.25	1300	75	1.0
MMSZ5225B	C5	2.85	3.0	3.15	20	29	0.25	1600	50	1.0
MMSZ5226B	G1	3.14	3.3	3.47	20	28	0.25	1600	25	1.0
MMSZ5227B	G2	3.42	3.6	3.78	20	24	0.25	1700	15	1.0
MMSZ5228B	G3	3.71	3.9	4.10	20	23	0.25	1900	10	1.0
MMSZ5229B	G4	4.09	4.3	4.52	20	22	0.25	2000	5	1.0
MMSZ5230B	G5	4.47	4.7	4.94	20	19	0.25	1900	5	2.0
MMSZ5231B	E1	4.85	5.1	5.36	20	17	0.25	1600	5	2.0
MMSZ5232B	E2	5.32	5.6	5.88	20	11	0.25	1600	5	3.0
MMSZ5234B	E4	5.89	6.2	6.51	20	7	0.25	1000	5	4.0
MMSZ5235B	E5	6.46	6.8	7.14	20	5	0.25	750	3	5.0
MMSZ5236B	F1	7.13	7.5	7.88	20	6	0.25	500	3	6.0
MMSZ5237B	F2	7.79	8.2	8.61	20	8	0.25	500	3	6.5
MMSZ5238B	F3	8.27	8.7	9.14	20	8	0.25	600	3	6.5
MMSZ5239B	F4	8.65	9.1	9.56	20	10	0.25	600	3	7.0
MMSZ5240B	F5	9.50	10	10.50	20	17	0.25	600	3	8.0
MMSZ5241B	H1	10.45	11	11.55	20	22	0.25	600	2	8.4
MMSZ5242B	H2	11.40	12	12.60	20	30	0.25	600	1	9.1
MMSZ5243B	H3	12.35	13	13.65	9.5	13	0.25	600	0.5	9.9
MMSZ5244B	H4	13.3	14	14.7	9	15	0.25	600	0.1	10
MMSZ5245B	H5	14.25	15	15.75	8.5	16	0.25	600	0.1	11.0
MMSZ5246B	J1	15.20	16	16.80	7.8	17	0.25	600	0.1	12.0
MMSZ5248B	J3	17.10	18	18.90	7	21	0.25	600	0.1	14.0
MMSZ5250B	J5	19.00	20	21.00	6.2	25	0.25	600	0.1	15.0
MMSZ5251B	K1	20.90	22	23.10	5.6	29	0.25	600	0.1	17.0

■ **ELECTRICAL CHARACTERISTICS** ($T_a=25^\circ\text{C}$ Unless otherwise specified, continued)

MMSZ5252B	K2	22.80	24	25.20	5.2	33	0.25	600	0.1	18.0
MMSZ5254B	K4	25.65	27	28.35	4.6	41	0.25	600	0.1	21.0
MMSZ5256B	M1	28.50	30	31.50	4.2	49	0.25	600	0.1	23.0
MMSZ5257B	M2	31.35	33	34.65	3.8	58	0.25	700	0.1	25.0
MMSZ5258B	M3	34.20	36	37.80	3.4	70	0.25	700	0.1	27.0
MMSZ5259B	M4	37.05	39	40.95	3.2	80	0.25	800	0.1	30.0
MMSZ5260B	M5	40.85	43	45.15	3	93	0.25	900	0.1	33.0
MMSZ5261B	N1	44.65	47	49.35	2.7	105	0.25	1000	0.1	36.0

■ **OUTLINE DIMENSIONS**



DIMENSIONS				
DIM	INCHES		MM	
	MIN	MAX	MIN	MAX
A	0.140	0.152	3.550	3.850
B	0.100	0.112	2.550	2.850
C	0.055	0.071	1.400	1.800
D	0.037	0.053	0.950	1.350
E	0.020	0.028	0.510	0.710
G	0.006	0.018	0.150	0.450
H	0.003	0.010	0.080	0.250
J	0.000	0.006	0.000	0.150
θ	0	8°	0	8°

■ **SUGGESTED PAD LAYOUT**

