

■ **FEATURES**

- V_R 75V
- I_{FAV} 250mA

■ **TYPICAL APPLICATIONS**

- Extreme fast switches

■ **MECHANICAL DATA**

- **Package:** SOD323
- **Terminals:** Tin plated leads, solderable per J-STD-002 and JESD22-B102
- **Polarity:** Cathode line denotes the cathode end
- **Marking:** T5

■ **MAXIMUM RATINGS** ($T_a=25^\circ\text{C}$ Unless otherwise specified)

PARAMETER	SYMBOL	UNIT	Conditions	VALUE
DC Blocking Voltage	V_R	V	$I_R=100\mu\text{A}$	75
Peak forward surge current	I_{FSM}	A	$t_p=1\mu\text{s}$	2
Average forward current	I_{FAV}	mA		250
Power dissipation	P_{tot}	mW		200
Thermal Resistance	R_{thJA}	$^\circ\text{C}/\text{W}$		625
Maximum junction temperature	T_j	$^\circ\text{C}$		-55 to +150
Storage temperature range	T_{stg}	$^\circ\text{C}$		-55 to +150

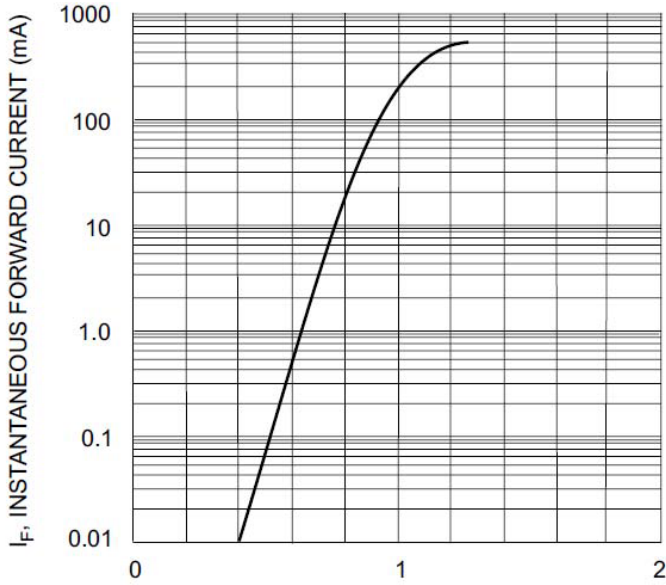
■ **ELECTRICAL CHARACTERISTICS** ($T_a=25^\circ\text{C}$ Unless otherwise specified)

PARAMETER	SYMBOL	UNIT	Conditions	VALUE
Maximum Forward voltage	V_F	V	$I_F=5.0\text{mA}$	0.720
			$I_F=10\text{mA}$	0.855
			$I_F=100\text{mA}$	1
			$I_F=150\text{mA}$	1.25
Maximum Reverse current	I_R	nA	$V_R=20\text{V}$	25
		μA	$V_R=25\text{V}, T_j=150^\circ\text{C}$	30
		nA	$V_R=75\text{V}$	200
		μA	$V_R=75\text{V}, T_j=150^\circ\text{C}$	50
Minimum Breakdown voltage	V_R	V	$I_R=1\mu\text{A}$	75
Maximum Diode capacitance	C_D	pF	$V_R=V_F=0\text{V}, f=1\text{MHz}$	4
Maximum Reverse recovery time	t_{rr}	ns	$I_F=10\text{mA}, I_{rr}=0.1I_R, R_L=100\Omega$	4

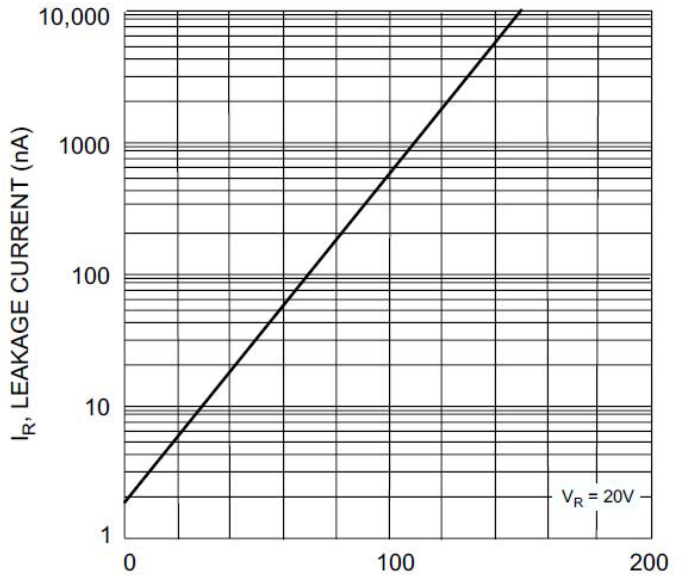
■ **PACKAGING INFORMATION**

PREFERRED P/N	PACKING CODE	UNIT WEIGHT(g)	MINIMUM PACKAGE(pcs)	INNER BOX QUANTITY(pcs)	OUTER CARTON QUANTITY(pcs)	DELIVERY MODE
1N4448WS	F2	Approximate 0.0048	3000	30000	120000	7" reel

■ **CHARACTERISTICS (TYPICAL)**

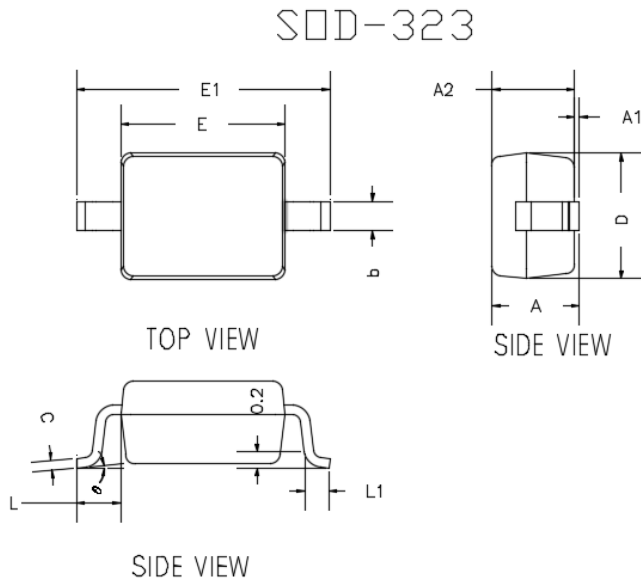


V_F , INSTANTANEOUS FORWARD VOLTAGE (V)
Fig. 1 Forward Characteristics



T_J , JUNCTION TEMPERATURE (°C)
Fig. 2 Leakage Current vs Junction Temperature

■ **OUTLINE DIMENSIONS**



■ **SUGGESTED PAD LAYOUT**

