

<b>RFE</b>    <b>FUZETEC</b>	<b>NO.</b>	<b>PQ40-01E</b>		
<b>Product Specification and Approval Sheet</b>	<b>Version</b>	<b>1</b>	<b>Page</b>	<b>1/4</b>

## Surface Mountable PTC Resettable Fuse: FSMD2016 Series

### 1. Summary

- (a) **RoHS Compliant & Halogen Free**
- (b) **Applications: All high-density boards**
- (c) **Product Features: Small surface mount, Solid state, Faster time to trip than standard SMD devices, Lower resistance than standard SMD devices**
- (d) **Operation Current: 0.3A~2.0A**
- (e) **Maximum Voltage: 6~60V<sub>DC</sub>**
- (f) **Temperature Range: -40°C to 85°C**

### 2. Agency Recognition

**UL:** File No. E211981  
**C-UL:** File No. E211981  
**TÜV:** File No. R50090556

### 3. Electrical Characteristics (23°C)

Part Number	Hold Current	Trip Current	Rated Voltage	Max. Current	Typical Power	Max. Time to Trip		Resistance	
	$I_H$ , A	$I_T$ , A	$V_{MAX}$ , V <sub>DC</sub>	$I_{MAX}$ , A	$P_d$ , W	Current	Time	$R_{MIN}$	$R1_{MAX}$
						A	Sec.	Ohm	Ohm
<b>FSMD030-2016-R</b>	0.30	0.60	60	100	1.4	1.5	3.0	0.400	2.300
<b>FSMD050-2016R</b>	0.55	1.10	60	100	1.4	2.5	5.0	0.200	1.000
<b>FSMD075-2016R</b>	0.75	1.50	60	100	1.4	8.0	0.5	0.130	0.900
<b>FSMD100-2016-R</b>	1.10	2.20	15	100	1.4	8.0	0.5	0.070	0.400
<b>FSMD100-33-2016-R</b>	1.10	2.20	33	100	1.4	8.0	0.5	0.070	0.400
<b>FSMD150-2016-R</b>	1.50	3.00	15	100	1.4	8.0	0.8	0.050	0.180
<b>FSMD200-2016-R</b>	2.00	4.20	6	100	1.4	8.0	3.0	0.030	0.100

$I_H$ =Hold current-maximum current at which the device will not trip at 23°C still air.

$I_T$ =Trip current-minimum current at which the device will always trip at 23°C still air.

$V_{MAX}$ =Maximum voltage device can withstand without damage at it rated current ( $I_{MAX}$ ).

$I_{MAX}$ = Maximum fault current device can withstand without damage at rated voltage ( $V_{MAX}$ ).

$P_d$ =Typical power dissipated-type amount of power dissipated by the device when in the tripped state in 23°C still air environment.

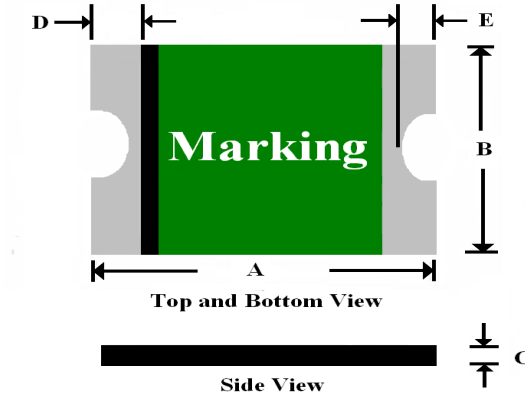
$R_{MIN}$ =Minimum device resistance at 23°C prior to tripping.

$R1_{MAX}$ =Maximum device resistance at 23°C measured 1 hour after tripping or reflow soldering of 260°C for 20 seconds.

Termination pad characteristics

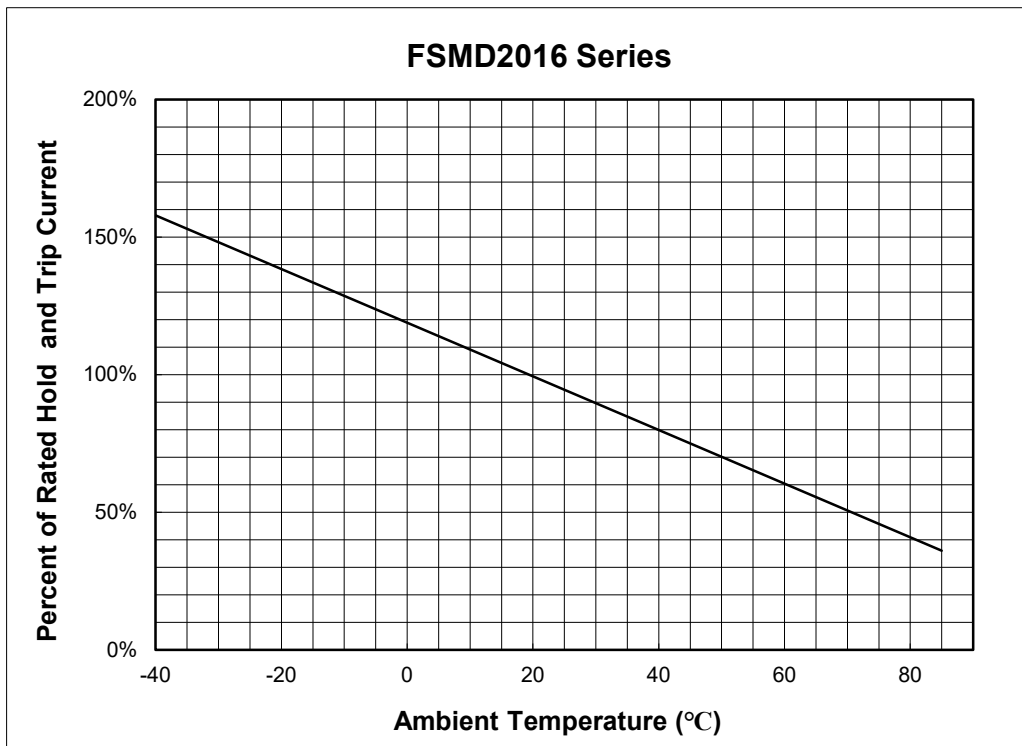
Termination pad materials: Pure Tin

#### 4. FSMD Product Dimensions (Millimeters)



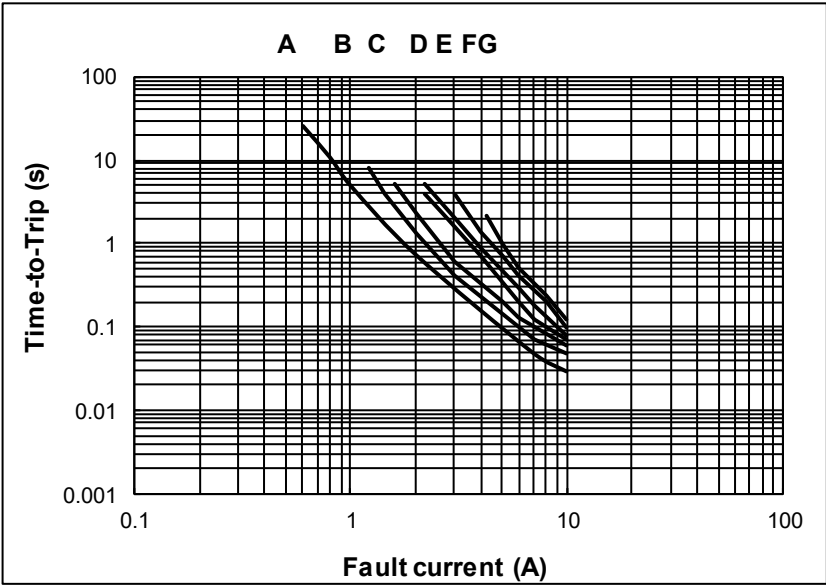
Part Number	A		B		C		D		E	
	Min.	Max.	Min.	Max.	Min.	Max.	Min.	Max.	Min.	Max.
FSMD030-2016-R	4.72	5.44	3.70	4.43	0.40	1.15	0.30	1.50	0.25	0.65
FSMD050-2016R	4.72	5.44	3.70	4.43	0.40	1.70	0.30	1.50	0.25	0.65
FSMD075-2016R	4.72	5.44	3.70	4.43	0.40	1.70	0.30	1.50	0.25	0.65
FSMD100-2016-R	4.72	5.44	3.70	4.43	0.30	0.70	0.30	1.50	0.25	0.65
FSMD100-33-2016-R	4.72	5.44	3.70	4.43	0.30	0.70	0.30	1.50	0.25	0.65
FSMD150-2016-R	4.72	5.44	3.70	4.43	0.25	0.65	0.30	1.50	0.25	0.65
FSMD200-2016-R	4.72	5.44	3.70	4.43	0.25	0.55	0.30	1.50	0.25	0.65

#### 5. Thermal Derating Curve



### 6. Typical Time-to-Trip at 23°C

- A = FSMD030-2016-R
- B = FSMD050-2016R
- C = FSMD075-2016R
- D = FSMD100-2016-R
- E = FSMD100-33-2016-R
- F = FSMD150-2016-R
- G = FSMD200-2016-R

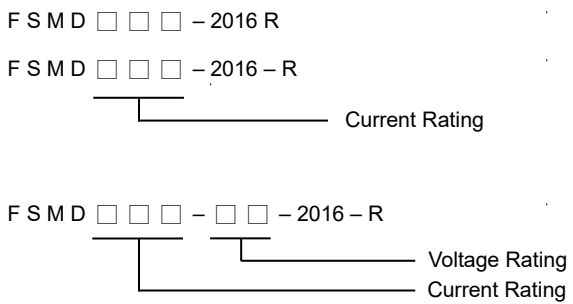


### 7. Material Specification

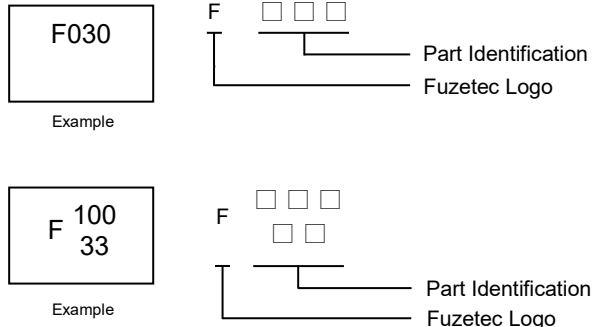
Terminal pad material: Pure Tin  
 Soldering characteristics: Meets EIA specification RS 186-9E, ANSI/J-std-002 Category 3

### 8. Part Numbering and Marking System

#### Part Numbering System



#### Part Marking System

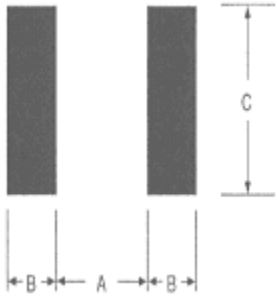


- Warning:** - Each product should be carefully evaluated and tested for their suitability of application.
- Operation beyond the specified maximum rating or improper use may result in damage and possible electrical arcing and/or flame.
  - PPTC device are intended for occasional overcurrent protection. Application for repeated overcurrent condition and/or prolonged trip are not anticipated.
  - Avoid contact of PPTC device with chemical solvent, including some inert material such as silicone based oil, lubricant and etc. Prolonged contact will damage the device performance.
  - Additional protection mechanism are strongly recommended to be used in conjunction with the PPTC device for protection against abnormal or failure conditions.
  - Avoid use of PPTC device in a constrained space such as potting material, housing and containers where have limited space to accommodate device thermal expansion and/or contraction.



## 9. Pad Layouts 、 Solder Reflow and Rework Recommendations

The dimension in the table below provide the recommended pad layout for each FSMD2016 device



**Pad dimensions (millimeters)**

Device	A Nominal	B Nominal	C Nominal
All FSMD2016 Series	3.40	1.50	4.60

### Solder reflow

※ Due to “Lead Free” nature, Temperature and Dwelling time for the soldering zone is higher than those for Regular. This may cause damage to other components.

1. Recommended max paste thickness is 0.25mm. (Nominal)
2. Devices can be cleaned using standard methods and aqueous solvent.
3. Rework use standard industry practices.
4. Storage Environment: < 30°C / 60%RH.

### **Caution:**

1. If reflow temperatures exceed the recommended profile, devices may not meet the performance requirements.
2. Devices are not designed to be wave soldered to the bottom side of the board.

Profile Feature	Pb-Free Assembly
<b>Average Ramp-Up Rate (T<sub>smax</sub> to T<sub>p</sub>)</b>	3°C/second max.
<b>Preheat:</b>	
Temperature Min (T <sub>smin</sub> )	150°C
Temperature Max (T <sub>smax</sub> )	200°C
Time (t <sub>smin</sub> to t <sub>smax</sub> )	60-180 seconds
<b>Time maintained above:</b>	
Temperature (T <sub>L</sub> )	217°C
Time (t <sub>L</sub> )	60-150 seconds
<b>Peak/Classification Temperature (T<sub>p</sub>) :</b>	260°C
<b>Time within 5°C of actual Peak:</b>	
Temperature (t <sub>p</sub> )	20-40 seconds
<b>Ramp-Down Rate:</b>	6°C/second max.
<b>Time 25°C to Peak Temperature:</b>	8 minutes max.

Note 1: All temperatures refer to of the package,  
measured on the package body surface.

## Reflow Profile

