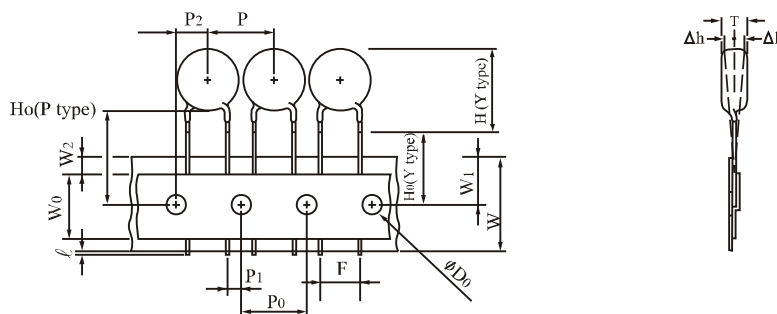
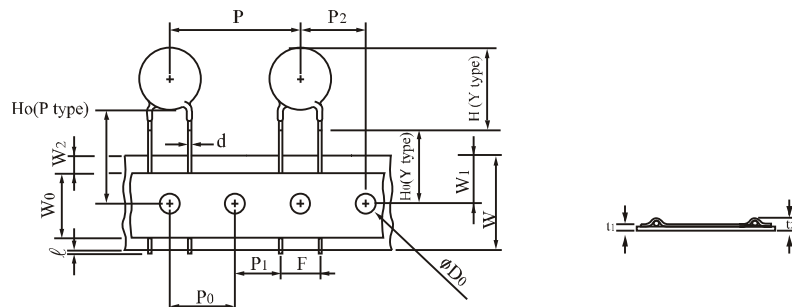


■ TAPING SPECIFICATIONS

1/2" pitch



1.0" pitch

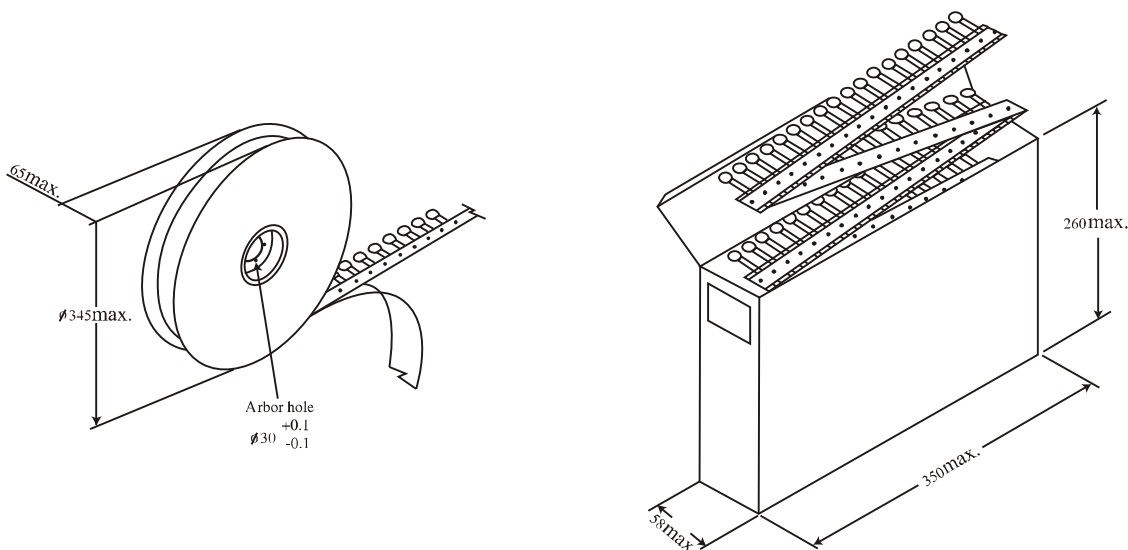


| Symbols     | Item                                   | 5 / 7 mm                                | 10 / 14mm                               | 20mm                                  |
|-------------|--|---|---|---------------------------------------|
|             | Cut out length                         | 1.1 mm max.                             | 1.1 mm max.                             |                                       |
| H (Y Type)  | Height of Top                          | See H Max. Table on page 4              |   |                                       |
| Ho (Y Type) | Height to seating plane                | 16.0 ± 0.5mm (*±1.0mm)                  | 16.0 ± 0.5mm (*±1.0mm)                  |                                       |
| Ho (P Type) | Height of component from hole center   | 16.0 ~ 21.0 mm                          | 16.0 ~ 21.0 mm                          |                                       |
| Δ h         | Front to back deviation                | 0 ± 2.0 mm                              | 0 ± 2.0 mm                              |                                       |
| W           | Carrier tape width                     | 18.0 <sup>+1.0</sup> <sub>-0.5</sub> mm | 18.0 <sup>+1.0</sup> <sub>-0.5</sub> mm |                                       |
| W0          | Hold down tape width                   | 10.0mm                                  | 10.0mm                                  |                                       |
| W1          | Sprocket hole position                 | 9.0 <sup>+0.75</sup> <sub>-0.5</sub> mm | 9.0 <sup>+0.75</sup> <sub>-0.5</sub> mm |                                       |
| W2          | Adhesive tape position                 | 3.0 mm max.                             | 3.0 mm max.                             |                                       |
| F           | Component head spacing                 | 5.0 <sup>+0.8</sup> <sub>-0.2</sub> mm  | 7.5 <sup>+0.8</sup> <sub>-0.2</sub> mm  | 10 <sup>+0.8</sup> <sub>-0.2</sub> mm |
| P           | Pitch of component                     | 12.7 ± 1.0 mm                           | 25.4 ± 1.0 mm                           |                                       |
| P0          | Sprocket hole pitch                    | 12.7 ± 0.3 mm                           | 12.7 ± 0.3 mm                           |                                       |
| P1          | Lead length from hole center to lead   | 3.85 ± 0.7 mm                           | 8.95 ± 0.7 mm                           | 7.7 ± 0.7 mm                          |
| P2          | Length from hole center to disk center | 6.35 ± 1.3 mm                           | 12.7 ± 1.3 mm                           |                                       |
| D0          | Sprocket hole diameter                 | 4.0 ± 0.2 mm                            | 4.0 ± 0.2 mm                            |                                       |
| d           | Lead wire diameter                     | 0.6 ± 0.05 mm                           | 0.8 ± 0.05 mm                           | 1.0 ± 0.05 mm                         |
| T           | Disk thickness                         | See Table of T Max. on page 4           |   |                                       |
| t1          | Total thickness tape                   | 0.7 ± 0.05 mm                           | 0.7 ± 0.05 mm                           |                                       |
| t2          | Total thickness                        | 1.6 mm max.                             | 1.8 mm max.                             |                                       |

\* for manual line

■ **PACKAGING**

in mm



**Quantity per Packing Unit**

in Pcs

| Series<br>Part No. | 5mm        |      |      | 7mm        |      |      | 10mm       |      |      | 14mm       |      |      | 20mm       |      |      |
|--------------------|------------|------|------|------------|------|------|------------|------|------|------------|------|------|------------|------|------|
|                    | Bulk (box) | Reel | Ammo | Bulk (box) | Reel | Ammo | Bulk (box) | Reel | Ammo | Bulk (box) | Reel | Ammo | Bulk (box) | Reel | Ammo |
| 180M ~ 470K        | 5000       | 1500 | 1500 | 5000       | 1500 | 1500 | 2500       | 1000 | 500  | 1500       | 750  | 500  | 750        | 500  | 500  |
| 560K ~ 680K        | 5000       | 1500 | 1000 | 5000       | 1500 | 1000 | 2500       | 1000 | 500  | 1500       | 750  | 500  | 750        | 500  | 500  |
| 820K ~ 391K        | 5000       | 1500 | 1500 | 5000       | 1500 | 1500 | 2500       | 1000 | 500  | 1500       | 750  | 500  | 750        | 500  | 500  |
| 431K ~ 471K        | 5000       | 1500 | 1000 | 5000       | 1000 | 1000 | 2000       | 750  | 500  | 1500       | 750  | 500  | 750        | 500  | 500  |
| 511K ~ 821K        | 4000       | 1000 | 1000 | 4000       | 1000 | 1000 | 1500       | 500  | 500  | 750        | 500  | 500  | 450        | 500  | 500  |
| 911K ~ 122K        | ---        | ---  | ---  | ---        | ---  | ---  | 1500       | 500  | 350  | 750        | 500  | 350  | 450        | ---  | ---  |
| 142K ~ 182K        | ---        | ---  | ---  | ---        | ---  | ---  | 750        | ---  | ---  | 450        | ---  | ---  | 300        | ---  | ---  |

| Packaging        | Bulk (box)  | Reel               | Reel (14mm, 20mm) | Ammo (5mm, 7mm) | Ammo (10mm, 14mm) | Ammo (20mm) |
|------------------|-------------|--------------------|-------------------|-----------------|-------------------|-------------|
| Box size (mm)    | 290*155*110 | 350*350*105        | 346*346*72        | 335*245*43      | 347*246*50        | 348*255*60  |
| Carton size (mm) | 328*310*250 | 370*370*590        | 370*370*468       | 515*354*258     | 515*364*246       | 535*365*275 |
| One carton with  | 4 boxes     | 5 boxes (10 reels) | 6 boxes (6 reels) | 10 boxes        | 8 boxes           | 8 boxes     |