

FEATURES

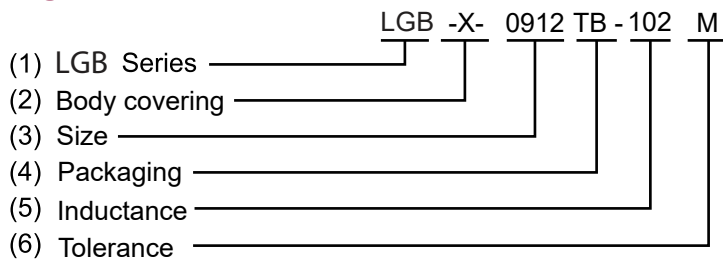
- Ferrite DR core construction
- Enamelled copper wire
- Terminal Cu/Sn
- Moisture sensitivity Level 1
- Operation Temperature: -40°C to +125°C
- Shrinkable tube 125°C, 600V
- Tolerance 5% (J), 10% (K), & 20% (M)

DIMENSIONS (mm)

Type	D±1	B max (note)	F±0.5	d±0.1	H	Inductance Range
LGB-X0406	4.5	8	2.5	0.5	10 min (bulk)	1µH ~ 8,200µH
LGB-X0507	5.5	9	2.5	0.6		1µH ~ 8,200µH
LGB-X0608	6.5	10	3			1µH ~ 47,000µH
LGB-X0810	8.5	12	5	0.6		1µH ~ 100,000µH
LGB-X0912	9.0	13.5	5			1µH ~ 18,000µH
LGB-X1012	10.5	15	5	4.7µH ~ 15,000µH		
LGB-X1415	14.5	17	7.5	135µH ~ 4000µH		

NOTE: Dimension B is from seating plane of device to top. (Includes insulation & lead connection.)

PART NUMBER EXAMPLE



Series
LGB (Radial)
LGA (AXIAL)

Body Covering
blank = no covering or encapsulation
X = heat shrink tube
S = ferrite shielded
E = epoxy coated

Size
Diameter & Length
on Dimensions Chart

Packaging
blank = bulk
TB = tape & box
TR = tape & reel

Inductance
1R0 = 1µHy
470 = 47µHy
101 = 100µHy
222 = 2200µHy (2.2mHy)
103 = 10,000µHy (10mHy)
153 = 15,000µHy (15mHy)

Tolerance
J = 5%
K = 10%
M = 20%

NOTE: Taping specifications on page 8.

■ **ELECTRICAL CHARACTERISTICS:** (SIZE: 0406)

RFE Part Number	Inductance (uH)	Tolerance	Q min	Test Freq. (MHz)	SRF (MHz) min	RDC (Ω) max	IDC (mA) max
LGB-X0406-1R0M	1.0	±20%	80	7.96	200	0.10	1400
LGB-X0406-1R2M	1.2	±20%	70	7.96	170	0.13	1200
LGB-X0406-1R5M	1.5	±20%	70	7.96	140	0.15	1200
LGB-X0406-1R8M	1.8	±20%	70	7.96	130	0.17	1100
LGB-X0406-2R2M	2.2	±20%	70	7.96	120	0.20	1100
LGB-X0406-2R7M	2.7	±20%	70	7.96	110	0.22	1000
LGB-X0406-3R3M	3.3	±20%	70	7.96	90	0.24	1000
LGB-X0406-3R9M	3.9	±20%	70	7.96	70	0.26	1000
LGB-X0406-4R7M	4.7	±20%	70	7.96	55	0.28	800
LGB-X0406-5R6M	5.6	±20%	70	7.96	40	0.3	800
LGB-X0406-6R8M	6.8	±20%	70	7.96	35	0.35	800
LGB-X0406-8R2M	8.2	±20%	65	7.96	30	0.35	700
LGB-X0406-100K	10	±10%	65	2.52	25	0.46	650
LGB-X0406-120K	12	±10%	65	2.52	20	0.48	600
LGB-X0406-150K	15	±10%	65	2.52	15	0.55	500
LGB-X0406-180K	18	±10%	65	2.52	15	0.65	500
LGB-X0406-220K	22	±10%	60	2.52	14	0.72	400
LGB-X0406-270K	27	±10%	60	2.52	13	0.78	400
LGB-X0406-330K	33	±10%	60	2.52	12	0.87	400
LGB-X0406-390K	39	±10%	60	2.52	11	0.90	400
LGB-X0406-470K	47	±10%	58	2.52	10	0.98	320
LGB-X0406-560K	56	±10%	55	2.52	9.00	1.50	300
LGB-X0406-680K	68	±10%	55	2.52	8.50	1.90	300
LGB-X0406-820K	82	±10%	53	2.52	8.00	2.50	300
LGB-X0406-101K	100	±10%	50	0.796	7.00	3.0	200
LGB-X0406-121K	120	±10%	50	0.796	6.30	3.8	200
LGB-X0406-151K	150	±10%	50	0.796	5.70	4.5	200
LGB-X0406-181K	180	±10%	50	0.796	5.30	5.0	200
LGB-X0406-221K	220	±10%	50	0.796	5.00	5.8	200
LGB-X0406-271K	270	±10%	50	0.796	4.50	6.5	150
LGB-X0406-331K	330	±10%	50	0.796	4.00	7.0	150
LGB-X0406-391K	390	±10%	50	0.796	3.80	7.7	150
LGB-X0406-471K	470	±10%	50	0.796	3.50	8.0	120
LGB-X0406-561K	560	±10%	50	0.796	3.20	8.5	120
LGB-X0406-681K	680	±10%	50	0.796	3.00	9.5	120
LGB-X0406-821K	820	±10%	50	0.796	2.80	15.0	100
LGB-X0406-102K	1000	±10%	50	0.252	2.50	17.0	100
LGB-X0406-122K	1200	±10%	50	0.252	2.30	20.0	80
LGB-X0406-152K	1500	±10%	50	0.252	2.10	22.0	80
LGB-X0406-182K	1800	±10%	50	0.252	1.80	25.0	70
LGB-X0406-222K	2200	±10%	50	0.252	1.60	26.0	60
LGB-X0406-272K	2700	±10%	45	0.252	1.36	40.0	40
LGB-X0406-332K	3300	±10%	45	0.252	1.27	50.0	30
LGB-X0406-392K	3900	±10%	45	0.252	1.20	55.0	30
LGB-X0406-472K	4700	±10%	45	0.252	1.06	60.0	30
LGB-X0406-562K	5600	±10%	45	0.252	1.02	65.0	30
LGB-X0406-682K	6800	±10%	45	0.252	0.96	72.0	30
LGB-X0406-822K	8200	±10%	45	0.252	0.93	80.0	20

continue

■ **ELECTRICAL CHARACTERISTICS:** (SIZE: 0507)

RFE Part Number	Inductance (uH)	Tolerance	Q min	Test Freq. (MHz)	SRF (MHz) min	RDC (Ω) max	IDC (mA) max
LGB-X0507-1R0M	1.0	±20%	80	7.96	120	0.02	3500
LGB-X0507-1R2M	1.2	±20%	70	7.96	100	0.02	3100
LGB-X0507-1R5M	1.5	±20%	70	7.96	90	0.02	3000
LGB-X0507-1R8M	1.8	±20%	70	7.96	70	0.02	2800
LGB-X0507-2R2M	2.2	±20%	70	7.96	55	0.03	2500
LGB-X0507-2R7M	2.7	±20%	70	7.96	50	0.03	2200
LGB-X0507-3R3M	3.3	±20%	70	7.96	50	0.04	2000
LGB-X0507-3R9M	3.9	±20%	70	7.96	35	0.04	1900
LGB-X0507-4R7M	4.7	±20%	70	7.96	30	0.05	1800
LGB-X0507-5R6M	5.6	±20%	70	7.96	30	0.05	1700
LGB-X0507-6R8M	6.8	±20%	70	7.96	25	0.06	1300
LGB-X0507-8R2M	8.2	±20%	65	7.96	25	0.06	1100
LGB-X0507-100K	10	±10%	65	2.52	22	0.08	1000
LGB-X0507-120K	12	±10%	65	2.52	20	0.10	950
LGB-X0507-150K	15	±10%	65	2.52	16	0.11	900
LGB-X0507-180K	18	±10%	65	2.52	14	0.11	800
LGB-X0507-220K	22	±10%	60	2.52	14	0.12	600
LGB-X0507-270K	27	±10%	60	2.52	12	0.14	550
LGB-X0507-330K	33	±10%	60	2.52	10	0.16	500
LGB-X0507-390K	39	±10%	60	2.52	9.00	0.18	500
LGB-X0507-470K	47	±10%	58	2.52	9.00	0.20	450
LGB-X0507-560K	56	±10%	55	2.52	8.00	0.22	450
LGB-X0507-680K	68	±10%	55	2.52	8.00	0.30	400
LGB-X0507-820K	82	±10%	55	2.52	7.00	0.34	400
LGB-X0507-101K	100	±10%	50	0.796	6.00	0.36	350
LGB-X0507-121K	120	±10%	50	0.796	5.50	0.44	300
LGB-X0507-151K	150	±10%	50	0.796	4.50	0.52	300
LGB-X0507-181K	180	±10%	50	0.796	3.50	0.65	250
LGB-X0507-221K	220	±10%	50	0.796	4.00	0.75	240
LGB-X0507-271K	270	±10%	50	0.796	3.50	1.00	200
LGB-X0507-331K	330	±10%	50	0.796	3.00	1.30	180
LGB-X0507-391K	390	±10%	50	0.796	2.70	1.40	160
LGB-X0507-471K	470	±10%	50	0.796	2.50	1.60	160
LGB-X0507-561K	560	±10%	50	0.796	2.40	2.00	120
LGB-X0507-681K	680	±10%	50	0.796	2.20	2.30	140
LGB-X0507-821K	820	±10%	50	0.796	2.00	2.70	130
LGB-X0507-102K	1000	±10%	50	0.252	2.20	3.10	120
LGB-X0507-122K	1200	±10%	50	0.252	1.50	4.60	110
LGB-X0507-152K	1500	±10%	50	0.252	1.30	5.30	100
LGB-X0507-182K	1800	±10%	50	0.252	1.20	6.20	90
LGB-X0507-222K	2200	±10%	45	0.252	1.10	6.80	80
LGB-X0507-272K	2700	±10%	45	0.252	1.00	10.00	60
LGB-X0507-332K	3300	±10%	45	0.252	0.95	12.00	60
LGB-X0507-392K	3900	±10%	45	0.252	0.90	13.00	55
LGB-X0507-472K	4700	±10%	45	0.252	0.90	15.00	55
LGB-X0507-562K	5600	±10%	45	0.252	0.80	22.00	50
LGB-X0507-682K	6800	±10%	45	0.252	0.75	25.00	45
LGB-X0507-822K	8200	±10%	45	0.252	0.70	28.00	45

continue

■ **ELECTRICAL CHARACTERISTICS:** (SIZE: 0608)

RFE Part Number	Inductance (uH)	Tolerance	Q min	Test Freq. (MHz)	SRF (MHz) min	RDC (Ω) max	IDC (mA) max
LGB-X0608-1R0M	1.0	±20%	85	7.96	100	0.02	4400
LGB-X0608-1R2M	1.2	±20%	85	7.96	90	0.02	4000
LGB-X0608-1R5M	1.5	±20%	85	7.96	80	0.03	3560
LGB-X0608-1R8M	1.8	±20%	80	7.96	65	0.04	3500
LGB-X0608-2R2M	2.2	±20%	80	7.96	55	0.05	3000
LGB-X0608-2R7M	2.7	±20%	80	7.96	50	0.06	2800
LGB-X0608-3R3M	3.3	±20%	75	7.96	40	0.06	2500
LGB-X0608-3R9M	3.9	±20%	75	7.96	38	0.07	2300
LGB-X0608-4R7M	4.7	±20%	75	7.96	36	0.07	2000
LGB-X0608-5R6M	5.6	±20%	70	7.96	35	0.08	1800
LGB-X0608-6R8M	6.8	±20%	70	7.96	30	0.08	1500
LGB-X0608-8R2M	8.2	±20%	70	7.96	25	0.08	1400
LGB-X0608-100K	10	±10%	25	2.52	16	0.09	1300
LGB-X0608-120K	12	±10%	25	2.52	15	0.10	1100
LGB-X0608-150K	15	±10%	25	2.52	13	0.11	1050
LGB-X0608-180K	18	±10%	25	2.52	12	0.12	1000
LGB-X0608-220K	22	±10%	25	2.52	11	0.12	960
LGB-X0608-270K	27	±10%	25	2.52	10	0.17	920
LGB-X0608-330K	33	±10%	25	2.52	8.80	0.19	880
LGB-X0608-390K	39	±10%	20	2.52	8.40	0.22	860
LGB-X0608-470K	47	±10%	20	2.52	8.20	0.23	830
LGB-X0608-560K	56	±10%	20	2.52	7.90	0.29	810
LGB-X0608-680K	68	±10%	20	2.52	7.00	0.37	750
LGB-X0608-820K	82	±10%	20	2.52	6.50	0.39	740
LGB-X0608-101K	100	±10%	30	0.796	5.70	0.44	710
LGB-X0608-121K	120	±10%	30	0.796	5.20	0.64	680
LGB-X0608-151K	150	±10%	30	0.796	4.70	0.73	600
LGB-X0608-181K	180	±10%	35	0.796	4.20	0.82	540
LGB-X0608-221K	220	±10%	35	0.796	3.70	0.92	450
LGB-X0608-271K	270	±10%	35	0.796	3.50	1.30	420
LGB-X0608-331K	330	±10%	35	0.796	3.20	1.50	400
LGB-X0608-391K	390	±10%	40	0.796	2.90	1.80	370
LGB-X0608-471K	470	±10%	40	0.796	2.40	2.30	340
LGB-X0608-561K	560	±10%	40	0.796	2.20	3.00	280
LGB-X0608-681K	680	±10%	40	0.796	2.00	3.25	250
LGB-X0608-821K	820	±10%	40	0.796	1.60	4.16	230
LGB-X0608-102K	1000	±10%	80	0.796	1.50	4.55	210
LGB-X0608-122K	1200	±10%	80	0.796	1.40	5.20	200
LGB-X0608-152K	1500	±10%	75	0.796	1.30	6.54	150
LGB-X0608-182K	1800	±10%	75	0.796	1.20	7.54	140
LGB-X0608-222K	2200	±10%	75	0.796	1.10	8.32	130
LGB-X0608-272K	2700	±10%	75	0.796	1.00	9.62	120
LGB-X0608-332K	3300	±10%	75	0.796	0.85	10.92	110
LGB-X0608-392K	3900	±10%	75	0.796	0.78	16.12	90
LGB-X0608-472K	4700	±10%	75	0.796	0.68	17.81	80
LGB-X0608-562K	5600	±10%	75	0.796	0.62	20.00	70
LGB-X0608-682K	6800	±10%	75	0.796	0.61	27.30	65
LGB-X0608-822K	8200	±10%	75	0.796	0.60	31.20	50

continue

■ **ELECTRICAL CHARACTERISTICS:** (SIZE: 0608 & 0810)

RFE Part Number	Inductance (uH)	Tolerance	Q min	Test Freq. (MHz)	SRF (MHz) min	RDC (Ω) max	IDC (mA) max
LGB-X0608-103K	10000	±10%	70	0.796	0.48	39.00	45
LGB-X0608-123K	12000	±10%	70	0.796	0.44	42.90	40
LGB-X0608-153K	15000	±10%	70	0.796	0.35	65.00	35
LGB-X0608-183K	18000	±10%	70	0.796	0.3	72.80	30
LGB-X0608-223K	22000	±10%	70	0.796	0.28	82.55	30
LGB-X0608-273K	27000	±10%	70	0.796	0.25	95.42	25
LGB-X0608-333K	33000	±10%	70	0.796	0.23	135.20	25
LGB-X0608-393K	39000	±10%	70	0.796	0.2	154.70	20
LGB-X0608-473K	47000	±10%	70	0.796	0.16	172.90	20

RFE Part Number	Inductance (uH)	Tolerance	Q min	Test Freq. (MHz)	SRF (MHz) min	RDC (Ω) max	IDC (mA) max
LGB-X0810-1R0M	1.0	±10%	90	7.96	100	0.02	3400
LGB-X0810-1R2M	1.2	±10%	90	7.96	90	0.02	3400
LGB-X0810-1R5M	1.5	±10%	95	7.96	80	0.02	3400
LGB-X0810-1R8M	1.8	±10%	95	7.96	75	0.03	3300
LGB-X0810-2R2M	2.2	±10%	100	7.96	70	0.03	3000
LGB-X0810-2R7M	2.7	±10%	100	7.96	60	0.04	3000
LGB-X0810-3R3M	3.3	±10%	100	7.96	56	0.04	3000
LGB-X0810-3R9M	3.9	±10%	100	7.96	52	0.05	2900
LGB-X0810-4R7M	4.7	±10%	100	7.96	30	0.05	2900
LGB-X0810-5R6M	5.6	±10%	100	7.96	30	0.06	2600
LGB-X0810-6R8M	6.8	±10%	90	7.96	20	0.06	2500
LGB-X0810-8R2M	8.2	±10%	80	7.96	17	0.06	2000
LGB-X0810-100K	10	±10%	90	2.52	12	0.1	1600
LGB-X0810-120K	12	±10%	90	2.52	11	0.1	1400
LGB-X0810-150K	15	±10%	90	2.52	10	0.1	1300
LGB-X0810-180K	18	±10%	80	2.52	9	0.11	1200
LGB-X0810-220K	22	±10%	70	2.52	8	0.13	1100
LGB-X0810-270K	27	±10%	70	2.52	7	0.14	1000
LGB-X0810-330K	33	±10%	70	2.52	7	0.16	900
LGB-X0810-390K	39	±10%	70	2.52	6	0.16	800
LGB-X0810-470K	47	±10%	70	2.52	5.5	0.16	700
LGB-X0810-560K	56	±10%	60	2.52	5.5	0.22	700
LGB-X0810-680K	68	±10%	60	2.52	5	0.23	600
LGB-X0810-820K	82	±10%	60	2.52	4.5	0.27	500

continue

■ ELECTRICAL CHARACTERISTICS:

Size 0810

RFE Part Number	Inductance (uH)	Tolerance	Q min	Test Freq. (MHz)	SRF (MHz) min	RDC (Ω) max	IDC (mA) max
LGB-X0810-101K	100	±10%	40	0.796	4.5	0.29	400
LGB-X0810-121K	120	±10%	40	0.796	4.5	0.33	400
LGB-X0810-151K	150	±10%	40	0.796	4.5	0.46	350
LGB-X0810-181K	180	±10%	40	0.796	4.0	0.51	350
LGB-X0810-221K	220	±10%	40	0.796	3.5	0.62	300
LGB-X0810-271K	270	±10%	30	0.796	3.0	0.65	250
LGB-X0810-331K	330	±10%	30	0.796	3.0	0.79	250
LGB-X0810-391K	390	±10%	30	0.796	2.5	0.91	200
LGB-X0810-471K	470	±10%	30	0.796	2.5	1.20	180
LGB-X0810-561K	560	±10%	30	0.796	2.0	1.20	160
LGB-X0810-681K	680	±10%	30	0.796	2.0	1.50	140
LGB-X0810-821K	820	±10%	25	0.796	2.0	1.70	140
LGB-X0810-102K	1000	±10%	50	0.252	2.0	2.00	120
LGB-X0810-122K	1200	±10%	45	0.252	1.5	2.30	100
LGB-X0810-152K	1500	±10%	45	0.252	1.5	2.90	80
LGB-X0810-182K	1800	±10%	45	0.252	1.5	3.50	70
LGB-X0810-222K	2200	±10%	50	0.252	1.0	4.20	60
LGB-X0810-272K	2700	±10%	50	0.796	1.0	5.10	60
LGB-X0810-332K	3300	±10%	50	0.796	0.9	3.10	50
LGB-X0810-392K	3900	±10%	50	0.796	0.8	7.80	50
LGB-X0810-472K	4700	±10%	55	0.796	0.7	11	45
LGB-X0810-562K	5600	±10%	55	0.796	0.6	11	45
LGB-X0810-682K	6800	±10%	55	0.796	0.6	14	40
LGB-X0810-822K	8200	±10%	60	0.796	0.6	15	35
LGB-X0810-103K	10000	±10%	100	0.796	0.5	20	35
LGB-X0810-123K	12000	±10%	100	0.796	0.4	24	35
LGB-X0810-153K	15000	±10%	100	0.796	0.4	28	30
LGB-X0810-183K	18000	±10%	100	0.796	0.4	42	30
LGB-X0810-223K	22000	±10%	100	0.796	0.3	43	25
LGB-X0810-273K	27000	±10%	100	0.796	0.3	55	25
LGB-X0810-333K	33000	±10%	90	0.796	0.3	65	25
LGB-X0810-393K	39000	±10%	90	0.796	0.2	87	20
LGB-X0810-473K	47000	±10%	85	0.796	0.2	98	20
LGB-X0810-563K	56000	±10%	80	0.796	0.2	128	20
LGB-X0810-683K	68000	±10%	70	0.796	0.2	141	20
LGB-X0810-823K	82000	±10%	70	0.796	0.2	161	20
LGB-X0810-104K	100000	±10%	55	0.796	0.2	180	20

continue

■ **ELECTRICAL CHARACTERISTICS:** (SIZE: 0912)

RFE Part NumberA1:I38	Inductance (μH)	Tolerance	Q (ref.)	Test Freq. (MHz)	SRF (MHz) min.	RDC (Ω) max.	IDC (mA) max
LGB-X0912-100K	10	±10%	50	2.52	14.00	0.045	3400
LGB-X0912-120K	12	±10%	50	2.52	13.00	0.050	3100
LGB-X0912-150K	15	±10%	50	2.52	12.00	0.056	2900
LGB-X0912-180K	18	±10%	40	2.52	11.00	0.061	2600
LGB-X0912-220K	22	±10%	40	2.52	9.20	0.070	2400
LGB-X0912-270K	27	±10%	40	2.52	8.50	0.080	2200
LGB-X0912-330K	33	±10%	30	2.52	7.80	0.090	2050
LGB-X0912-390K	39	±10%	30	2.52	6.90	0.100	1850
LGB-X0912-470K	47	±10%	30	2.52	6.50	0.160	1770
LGB-X0912-560K	56	±10%	30	2.52	5.40	0.180	1780
LGB-X0912-680K	68	±10%	30	2.52	4.90	0.210	1500
LGB-X0912-820K	82	±10%	30	2.52	4.10	0.230	1300
LGB-X0912-101K	100	±10%	20	0.796	3.70	0.280	1400
LGB-X0912-121K	120	±10%	20	0.796	3.40	0.320	1250
LGB-X0912-151K	150	±10%	20	0.796	3.20	0.370	1150
LGB-X0912-181K	180	±10%	20	0.796	2.80	0.580	1080
LGB-X0912-221K	220	±10%	20	0.796	2.70	0.650	1000
LGB-X0912-271K	270	±10%	20	0.796	2.40	0.750	900
LGB-X0912-331K	330	±10%	20	0.796	2.30	0.850	780
LGB-X0912-391K	390	±10%	20	0.796	2.10	1.000	740
LGB-X0912-471K	470	±10%	20	0.796	1.90	1.100	680
LGB-X0912-561K	560	±10%	20	0.796	1.80	1.400	640
LGB-X0912-681K	680	±10%	20	0.796	1.60	1.600	590
LGB-X0912-821K	820	±10%	20	0.796	1.50	1.800	560
LGB-X0912-102K	1000	±10%	20	0.252	1.30	2.900	510
LGB-X0912-122K	1200	±10%	15	0.252	1.20	3.400	480
LGB-X0912-152K	1500	±10%	15	0.252	1.10	3.800	430
LGB-X0912-182K	1800	±10%	15	0.252	1.00	5.300	390
LGB-X0912-222K	2200	±20%	15	0.252	0.80	5.900	360
LGB-X0912-272K	2700	±20%	15	0.252	0.70	8.200	320
LGB-X0912-332K	3300	±20%	15	0.252	0.60	9.100	290
LGB-X0912-392K	3900	±20%	15	0.252	0.55	9.900	270
LGB-X0912-472K	4700	±20%	15	0.252	0.50	13.600	240
LGB-X0912-562K	5600	±20%	15	0.252	0.45	14.900	220
LGB-X0912-682K	6800	±20%	15	0.252	0.40	20.700	200
LGB-X0912-822K	8200	±20%	15	0.252	0.35	22.700	180
LGB-X0912-103K	10000	±20%	15	0.0796	0.32	25.100	170
LGB-X0912-123K	12000	±20%	15	0.0796	0.28	34.700	150
LGB-X0912-153K	15000	±20%	15	0.0796	0.25	48.900	140
LGB-X0912-183K	18000	±20%	15	0.0796	0.23	53.600	120

continue

■ **ELECTRICAL CHARACTERISTICS:**

Size 1012 & Size 1415

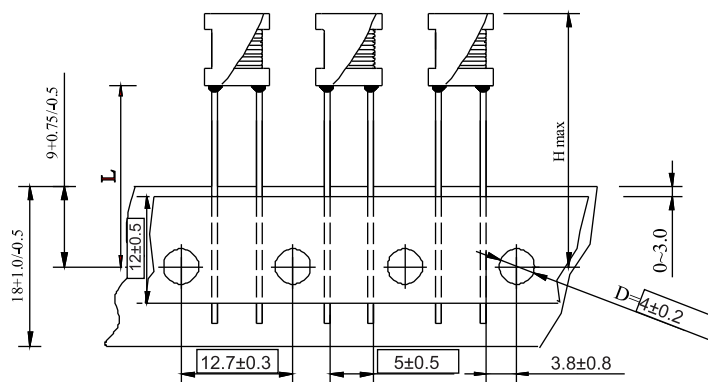
RFE Part Number	Inductance (uH)	Tolerance	Q min	Test Freq. (MHz)	SRF (MHz) min	RDC (Ω) max	IDC (mA) max
LGB-X1012-4R7K	4.7	±10%	5	0.01		0.05	4700
LGB-X1012-150K	15	±10%	5	0.01		0.05	3000
LGB-X1012-200K	20	±10%	5	0.01		0.04	2500
LGB-X1012-101K	100	±10%	5	0.01		0.18	1200
LGB-X1012-151K	150	±10%	5	0.01		0.27	1000
LGB-X1012-202K	2000	±10%	5	0.01		4.40	300
LGB-X1012-153K	15000	±10%	5	0.01		14.30	20

RFE Part Number	Inductance (uH)	Tolerance	Q min	Test Freq. (MHz)	SRF (MHz) min	RDC (Ω) max	IDC (mA) max
LGB-X1415-101K	100	±10%	5	0.01		0.10	3000
LGB-X1415-301K	300	±10%	5	0.01		0.35	1500
LGB-X1415-371K	370	±10%	5	0.01		0.35	1200
LGB-X1415-451K	450	±10%	5	0.01		0.35	1000
LGB-X1415-551K	550	±10%	5	0.01		0.35	1000
LGB-X1415-561K	560	±10%	5	0.01		0.49	1000
LGB-X1415-801K	800	±10%	5	0.01		0.50	700
LGB-X1415-302K	3000	±10%	5	0.01		2.65	300
LGB-X1415-402K	4000	±10%	5	0.01		3.00	200

** Electrical specification at 25°C, IDC base on Temperature rise 20°C max.

■ **TAPING SPECIFICATIONS**

only apply to size 0608, 0810, 0912



■ **NOTES**

- IDC current value obtained when current flows and the temperature has risen to 25°C or when DC current flows and the initial value of inductance has fallen by 10%, whichever is smaller
- When the series of inductor used in electronic ballasts, inductance value of the test frequency generally 1KHz or 10KHz to prevail.
- offerings continue to change, please contact RFE sales team for inductance and size not listed.
- Custom design for special requirement is highly welcome.