

### FEATURES

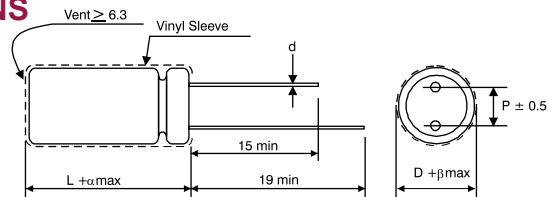
- High temperature, 105°C
- For general purposes
- Replaces RG & RHG Series

### SPECIFICATIONS

Items	Performance																												
Life	at 105 °C 2000 Hours																												
Operating Temp.	-40 °C ~ +105 °C																												
Capacitance Tolerance	+20% (at 120Hz, 20 °C)																												
Leakage Current (at 20 °C)	Rated Voltage	< 100V										> 100V																	
	Time	after 2 minutes										after 5 minutes																	
	Leakage Current	I = 0.01CV or 3 (μA) whichever is greater										CV ≤ 1000 I = 0.03CV+15 (μA)			CV > 1000 I = 0.02CV+25 (μA)														
Where C = rated capacitance in μF. V = rated DC working voltage in V.																													
Dissipation Factor (Tan δ at 120Hz, 20°C)	Rated Voltage	6.3	10	16	25	35	50	63	100	160	200	250	350	400	450														
	Tan (max)	0.23	0.20	0.16	0.14	0.12	0.10	0.09	0.08	0.12	0.14	0.17	0.20	0.25	0.25														
When the capacitance exceeds 1,000 μF, 0.02 shall be the added every 1,000 μF increase.																													
Impedance ratio shall not exceed the values given in the table below.																													
Low Temperature Characteristics (at 120Hz)	Impedance Ratio	Rated Voltage														6.3	10	16	25	35	50	63	100	160	200	250	350	400	450
		Z (-25°C) / Z (+20 °C)		D < 16		4	3	3	2	2	2	2	2	2	2	3	6	8	12	14	16								
		Z (-40°C) / Z (+20°C)		D < 16		8	6	6	4	4	3	3	3	3	4	8	10	16	18	20									
				D ≥ 16		6	4	4	3	3	3	3	3	3	3	4	8	10	16	18	20								
Load Life Test	Test Time	2,000 hrs																											
	Capacitance Change	Within ± 20% of initial value																											
	Dissipation Factor	Less than 200% of specified value																											
	Leakage Current	Within specified value																											
	* The above specifications shall be satisfied when the capacitors are restored to 20 °C after the rated voltage applied with rated ripple current for 2,000 hrs at 105 °C.																												
Shelf Life Test	Test Time	1,000 hours																											
	Capacitance Change	Within + 20% of initial value																											
	Dissipation Factor	Less than 200% of specified value																											
	Leakage Current	Within specified value																											
* The above specifications shall be satisfied when the capacitors are restored to 20 °C after exposing them for 1,000 hrs at 105 °C without voltage applied. The rated voltage shall be applied to the capacitors before the measurements for 160 ~ 450V (Refer to JIS C 5101-4 4.1).																													
Ripple Current & Frequency Multipliers	Cap. (μF)	Freq. (Hz)					60	120	500	1k	10k up																		
		Under 100					0.70	1.00	1.30	1.40	1.50																		
		100 < C ≤ 1,000					0.75	1.00	1.20	1.30	1.35																		
		1,000 up above					0.80	1.00	1.10	1.12	1.15																		
Other Standards	JIS C 5101-4																												

### LEAD SPACING AND DIAMETER SPECIFICATIONS

D	5	6.3	8	10	12.5	16	18	22	25
P	2.0	2.5	3.5	5.0	5	7.5	7.5	10	12.5
d	0.5		0.6			0.8		1.0	
α	1.0			1.5			2.0		
β	0.5								



#### ■ DIMENSIONS AND PERMISSIBLE RIPPLE CURRENT

Dimension: D×L(mm)

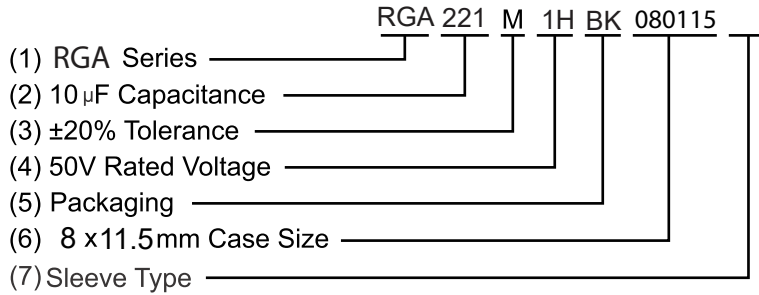
Ripple Current: mA/RMS at 120Hz 105°C

μF	Code	6.3V(0J)		10V(1A)		16V(1C)		25V(1E)		35V(1V)		50V(1H)		63V(1J)	
		D X L	mA	D X L	mA	D X L	mA	D X L	mA	D X L	mA	D X L	mA	D X L	mA
0.1	0R1											5 x 11	3	5 x 11	3.5
0.2	R22											5 x 11	5	5 x 11	5.1
0.3	R33											5 x 11	6	5 x 11	7.5
0.47	R47											5 x 11	7	5 x 11	9
1	10											5 x 11	13	5 x 11	15
2.2	2R2											5 x 11	20	5 x 11	30
3.3	3R3											5 x 11	30	5 x 11	31
4.7	4R7							5 x 11	26	*5 x 11	30	5 x 11	33	5 x 11	36
10	100					5 x 11	35	5 x 11	43	5 x 11	46	5 x 11	50	5 x 11	54
22	220			5 x 11	49	5 x 11	58	5 x 11	62	5 x 11	71	5 x 11	78	6.3 x 11	86
33	330	5 x 11	54	5 x 11	60	5 x 11	71	5 x 11	76	6.3 x 11	90	6.3 x 11	96	8 x 11.5	114
										*5 x 11	75	5 x 11	90	6.3 x 11	100
47	470	5 x 11	65	5 x 11	76	5 x 11	85	5 x 11	97	6.3 x 11	110	6.3 x 11	120	8 x 11.5	141
										*5 x 11	90			6.3 x 11	130
68	680														
100	101	5 x 11	95	5 x 11	105	6.3 x 11	133	6.3 x 11	142	8 x 11.5	180	8 x 11.5	188	10 x 12.5	235
						5 x 11	110			*6.3 x 11	150				
150	151														
220	221	6.3 x 11	160	6.3 x 11	175	8 x 11.5	215	8 x 11.5	236	10 x 12.5	300	10 x 16	300	10 x 20	450
		*5 x 11	140			6.3 x 11	190			*8 x 11.5	270	10 x 12.5	240	10 x 16	335
330	331	8 x 11.5	195	8 x 11.5	246	8 x 11.5	270	10 x 12.5	335	10 x 16	400	10 x 20	460	12.5 x 20	540
		*6.3 x 11	190	6.3 x 11	200			8 x 11.5	310	*10 x 12.5	350	10 x 16	410	10 x 20	510
470	471	8 x 11.5	270	8 x 11.5	290	10 x 12.5	370	10 x 16	440	10 x 20	520	12.5 x 25	610	12.5 x 25	720
		*6.3 x 11	230			8 x 11.5	310	10 x 12.5	380	*10 x 16	460	10 x 20	530	12.5 x 20	640
												12.5 x 60	425		
1,000	102	10 x 12.5	460	10 x 16	550	10 x 20	640	12.5 x 20	770	12.5 x 25	920	16 x 25	1,080	16 x 31.5	1,210
		*8 x 11.5	380	10 x 12.5	460	10 x 16	560	10 x 20	680	*12.5 x 20	810	12.5 x 25	950	16 x 25	930
								12.5 x 16	590	12.5 x 16	600	16 x 16	535		
										16 x 16	720	16 x 20	830		
2,200	222	10 x 20	810	12.5 x 20	860	12.5 x 25	1000	16 x 25	1,170	16 x 31.5	1,340	18 x 35	2,120	18 x 40	2,340
		*10 x 16	690	10 x 20	760	12.5 x 20	920	12.5 x 25	1,110	*16 x 25	1,260	16 x 35.5	1,470		
				13 x 16	690	16 x 16	830	16 x 20	970	18 x 20	1,110				
3,300	332	12.5 x 20	960	12.5 x 20	1,100	16 x 25	1,300	16 x 31.5	1,460	16 x 35.5	1,610	22 x 40	2,290	22 x 40	2,510
		*10 x 20	840			12.5 x 25	1,170	16 x 25	1,440	*16 x 31.5	1,420	18 x 35.5	1,770		
		12.5 x 16	700	16 x 16	940	16 x 16	950	18 x 20	1,220	18 x 25	1,570				
						16 x 20	1,050								
4,700	472	16 x 25	1,330	16 x 25	1,400	16 x 32	1,600	18 x 35.5	1,780	18 x 40	1,920	25 x 40	2,610	25 x 40	3,000
		*12.5 x 20	1090	12.5 x 25	1,260	16 x 25	1,480	16 x 31.5	1,710	*18 x 35.5	1,900	22 x 40	2,340		
		16 x 16	1,010	16 x 16	1,060	16 x 20	1,185	18 x 25	1,470						
				16 x 20	1,120	18 x 20	1,260								
6,800	682	16 x 25	1,640	16 x 31.5	1,880	18 x 35.5	2,170	18 x 40	2,280						
		*12.5 x 25	1,460	16 x 25	1,690	16 x 31.5	1,930	18 x 35.5	2,160						
		16 x 20	1,190	16 x 20	1,270	18 x 25	1,560								
				18 x 20	1,330										
10,000	103	16 x 31.5	2,200	16 x 35.5	2,400	18 x 35.5	2,640								
		*16 x 25	1,190	16 x 31.5	2,120	18 x 31.5	2,330	22 x 40	2,720						
		16 x 20	1,340	18 x 25	1,700										
		18 x 20	1,440												
22,000	223	18 x 40	3,270	18 x 40	3,100										
		*18 x 35.5	2,930			22 x 40	3,460								

### ■ DIMENSIONS AND PERMISSIBLE RIPPLE CURRENT (Continued)

μF	Code	100V(2A)		160V(2C)		200V(2D)		250V(2E)		350V(2V)		400V(2G)		450V(2W)	
		D X L	mA	D X L	mA	D X L	mA	D X L	mA	D X L	mA	D X L	mA	D X L	mA
0.1	OR1	5 x 11	4												
0.2	R22	5 x 11	6												
0.3	R33	5 x 11	8												
0.47	R47	5 x 11	9	6.3 x 11	13	6.3 x 11	14	8 x 11.5	18	8 x 11.5	18	8 x 11.5	18	10 x 12.5	22
				*5 x 11	11	5 x 11	12	5 x 11	11	8 x 11.5	16	*6.3 x 11	15	8 x 11.5	18
1	10	5 x 11	15	6.3 x 11	20	6.3 x 11	21	8 x 11.5	27	8 x 11.5	27	8 x 11.5	27	10 x 12.5	32
				*5 x 11	17	5 x 11	18	5 x 11	16	8 x 11.5	23	*6.3 x 11	21	8 x 12	27
2.2	2R2	5 x 11	30	6.3 x 11	29	8 x 11.5	37	8 x 11.5	41	10 x 16	53	10 x 12.5	48	10 x 12.5	48
				*5 x 11	25	6.3 x 11	30	6.3 x 11	35	10 x 11.5	41	*8 x 11.5	39	8 x 12	39
3.3	3R3	5 x 11	31	8 x 11.5	42	8 x 11.5	45	8 x 11.5	50	10 x 12.5	59	10 x 16	65	10 x 16	65
				*6.3 x 11	36	6.3 x 11	39	6.3 x 11	40	10 x 11.5	47	*8 x 11.5	47	10 x 13	55
4.7	4R7	6.3 x 11	40	8 x 11.5	50	8 x 11.5	54	10 x 16	93	10 x 16	78	10 x 20	86	10 x 20	86
				*6.3 x 11	43	6.3 x 11	43	8 x 11.5	60	10 x 12.5	65	10 x 12.5	70	10 x 16	75
10	100	8 x 11.5	66	10 x 12.5	87	10 x 20	115	10 x 16	115	10 x 20	125	12.5 x 20	145	12.5 x 25	160
		6.3 x 11	54	*8 x 11.5	73	10 x 12.5	94	10 x 12.5	92	10 x 16	105	*10 x 20	125	12.5 x 20	145
												12.5 x 16	120		
												16 x 16	150		
22	220	8 x 11.5	99	10 x 20	158	10 x 20	170	12.5 x 20	255	12.5 x 25	235	16 x 25	265	16 x 25	265
		6.3 x 11	93	*10 x 16	135	10 x 16	142	10 x 20	215	12.5 x 20	210	12.5 x 20	235	16 x 20	245
								12.5 x 16	200			16 x 20	220		
33	330	10 x 12.5	148	12.5 x 20	225	12.5 x 25	265	12.5 x 25	348	16 x 31.5	365	16 x 31.5	360	16 x 31.5	360
		8 x 11.5	130	*10 x 20	190	12.5 x 20	240	12.5 x 20	315	16 x 25	325	*16 x 25	325	16 x 25	325
						12.5 x 16	215	16 x 16	250			18 x 20	270		
						16 x 16	250								
47	470	10 x 16	180	12.5 x 25	295	12.5 x 25	315	16 x 25	468	16 x 31.5	395	16 x 35.5	420	18 x 40	515
		10 x 12.5	165	*12.5 x 20	265	12.5 x 20	250	12.5 x 25	350	16 x 25	365	16 x 31.5	390	16 x 35.5	420
				12.5 x 16	230	16 x 16	275	16 x 20	300			18 x 25	350		
68	680			16 x 16	275	16 x 20	300								
				16 x 20	330	16 x 20	330	18 x 20	350						
100	101			18 x 20	350										
		12.5 x 20	320	16 x 25	485	16 x 35.5	565	16 x 35.5	610	18 x 40	575	22 x 40	595	22 x 45	625
		10 x 20	265	*12.5 x 25	425	16 x 25	485	16 x 31.5	530	18 x 35.5	505	18 x 40	530	22 x 40	595
150	151			16 x 20	395	18 x 25	420								
				18 x 20	420										
220	221			18 x 25	510										
		16 x 25	570	18 x 35.5	750	18 x 40	885	22 x 40	945						
330	331	12.5 x 25	440	*16 x 31.5	660	18 x 35.5	835								
		16 x 31.5	700	18 x 40	865										
470	471	16 x 25	540	*18 x 35.5	820										
		12.5 x 25	720	18 x 35.5	880	18 x 31.5	715								
1,000	102	12.5 x 20	640												
		22 x 40	1,760												
2,200	222	18 x 40	985												
3,300	332														
4,700	472														
6,800	682														
10,000	103														
22,000	223														

### ■ HOW TO MAKE A PART NUMBER



#### 1. Series: RGA

2. Capacitance: Rated capacitance in  $\mu\text{F}$  is represented by a three digit number. The first two digits are the significant figures of the nominal capacitance and the third digit indicates the number of zeros following these figures. The decimal point is represented by the capital letter R. Please refer to the following example.

$\mu\text{F}$	0.1	0.47	1	4.7	10	47	100	470	1000	4700	10000
Part Number	0R1	R47	010	4R7	100	470	101	471	102	472	103

#### 3. Tolerance: (20% is Typical)

Code	K	M	T	W
Tolerance	$\pm 10\%$	$\pm 20\%$	$\pm 50\% / -10\%$	$\pm 100\% / -10\%$

4. Rated Voltage: Voltage in volts (V) is represented by a two digit code showing the rated working voltage indicated as follows:

Voltage (WV)	6.3	10	16	25	35	40	50	63	80	100	160	200	250	350	400	450
Code	0J	1A	1C	1E	1V	1G	1H	1J	1K	2A	2C	2D	2E	2V	2G	2W

#### 5. Lead Forming & Package

Code	Lead Description	Packaging
BC	Bending Cut	Bulk Packing
BK	Straight Lead	Bulk Packing
CC	Lead Cutting	Bulk Packing
FC	Lead Forming & Cutting	Bulk Packing
SD	Cathode Lead Beading	Bulk Packing
SA	Straight Lead	Tape & Ammo
TA	Lead Forming	Tape & Ammo
SR	Straight Lead	Tape & Reel
TR	Lead Forming	Tape & Reel

#### 6. Can Size

Diameter (mm)x10 & Length (mm)x10. Can Size 063110, represents 6.3mm diameter by 11mm length.

#### 7. Sleeve Type\* = (Omit) PVC Sleeve

P = PET Sleeve

\*Note: All standard RFE Aluminum Electrolytic Capacitors are Lead (Pb) free and RoHS compliant. PET sleeve is available for those companies that also require PVC free product.

### LEADED TAPING & PACKAGING SPECIFICATIONS Taping Specification for Radial Lead Type

Fig. 1

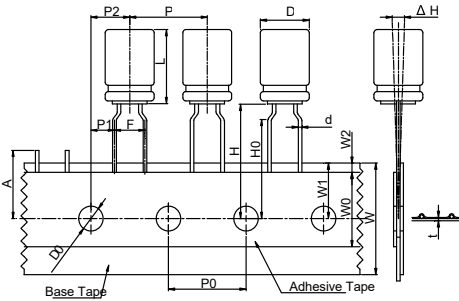


Fig. 2

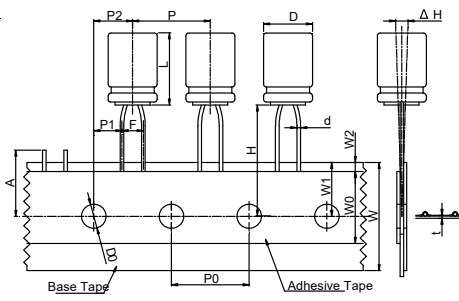


Fig. 3

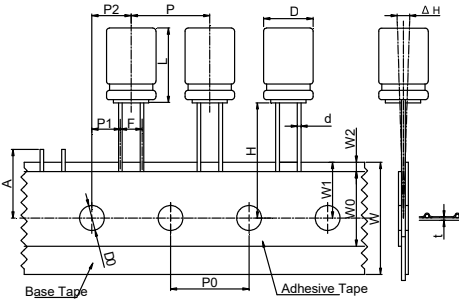
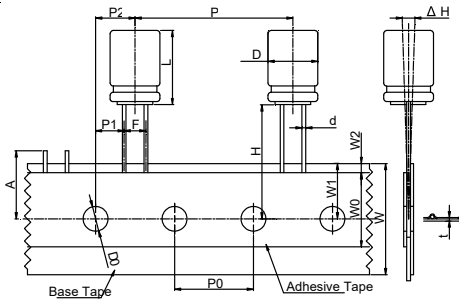


Fig. 4

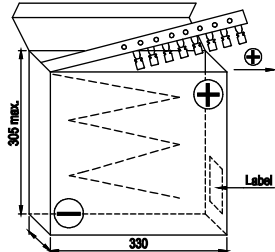


10 Boxes per carton

### LEADED TAPING & PACKAGING SPECIFICATIONS

Packing	TA, TR (Fig. 1)								SA, SR (Fig. 2, 3, 4)											
	L ≤ 7mm				L ≥ 7mm				L ≤ 7mm					L ≥ 7mm						
Symbol	3	4	5	6.3	8	5	6.3	8	3	4	5	6.3	8	5	6.3	8	Tol.	10	13	Tol.
d	0.4	0.45	0.5	0.5	0.5	0.5	0.5	0.6	0.4	0.45	0.45	0.45	0.45	0.5	0.5	0.6	± 0.05	0.6	0.6	± 0.05
F	5.0	5.0	5.0	5.0	5.0	5.0	5.0	5.0	2.5	2.5	2.5	2.5	3.5	2.5	2.5	3.5	-0.2/+0.8	5.0	5.0	-0.2/+0.8
P	12.7	12.7	12.7	12.7	12.7	12.7	12.7	12.7	12.7	12.7	12.7	12.7	12.7	12.7	12.7	12.7	± 1.0	12.7	25.4	± 1.0
P0	12.7	12.7	12.7	12.7	12.7	12.7	12.7	12.7	12.7	12.7	12.7	12.7	12.7	12.7	12.7	12.7	± 0.2	12.7	12.7	± 0.30
P2	6.35	6.35	6.35	6.35	6.35	6.35	6.35	6.35	6.35	6.35	6.35	6.35	6.35	6.35	6.35	6.35	± 1.0	6.35	6.35	± 1.3
P1	3.85	3.85	3.85	3.85	3.85	3.85	3.85	3.85	5.1	5.1	5.1	5.1	4.6	5.1	5.1	4.6	± 0.5	3.85	3.85	± 0.7
H	17.5	17.5	17.5	17.5	17.5	18.5	18.5	20.0	17.5	17.5	17.5	17.5	17.5	18.5	18.5	18.5	± 0.75	18.5	18.5	± 0.75
H0	16.0	16.0	16.0	16.0	16.0	16.0	16.0	--	--	--	--	--	--	--	--	--	± 0.5	--	--	± 0.5
W	18.0	18.0	18.0	18.0	18.0	18.0	18.0	18.0	18.0	18.0	18.0	18.0	18.0	18.0	18.0	18.0	± 0.5	18.0	18.0	± 0.5
W0	12.0	12.0	12.0	12.0	12.0	12.0	12.0	12.0	12.0	12.0	12.0	12.0	12.0	12.0	12.0	12.0	Min	12.0	12.0	Min.
W1	9.0	9.0	9.0	9.0	9.0	9.0	9.0	9.0	9.0	9.0	9.0	9.0	9.0	9.0	9.0	9.0	± 0.5	9.0	9.0	± 0.5
W2	1.5	1.5	1.5	1.5	1.5	1.5	1.5	1.5	1.5	1.5	1.5	1.5	1.5	1.5	1.5	1.5	Max.	1.5	1.5	Max.
D0	4.0	4.0	4.0	4.0	4.0	4.0	4.0	4.0	4.0	4.0	4.0	4.0	4.0	4.0	4.0	4.0	± 0.2	4.0	4.0	± 0.2
t	0.7	0.7	0.7	0.7	0.7	0.7	0.7	0.7	0.7	0.7	0.7	0.7	0.7	0.7	0.7	0.7	± 0.2	0.7	0.7	± 0.2
ΔH	0	0	0	0	0	0	0	0	0	0	0	0	0	0	0	0	± 1.0	0	0	± 1.0
ε	1.0	1.0	1.0	1.0	1.0	1.0	1.0	1.0	1.0	1.0	1.0	1.0	1.0	1.0	1.0	1.0	Max.	1.0	1.0	Max.
A	11	11	11	11	11	11	11	11	11	11	11	11	11	11	11	11	Max.	11	11	Max.
Fig. No.	1	1	1	1	1	1	1	1	2	2	2	3	3	2	3	3		3	3,4	

Ammo pack box. (SA, TA) Reel pack box. (SR, TR)



#### Tape Quantity

D	3	4	5	6.3	8	10	13
TA, SA	3000	2000	2000	2000	1000	500	250
TR, SR	3000	1500	1200	1000	800	500	500

#### NOTES:

- The above quantities are typical. Quantities may vary.
- The component will be oriented on the tape so that the positive lead is leading or the negative lead is leading, depending on the customer's request

■ **RADIAL FORMING**

Lead Forming & Cutting Specifications for Radial Type (Unit: mm)

Forming Method	Code	Shape	Dimensions																																																																																
Forming Cut (4 ~ 8 )	FC		<table border="1"> <thead> <tr> <th>D x L</th> <th>d</th> <th>F</th> <th>F'</th> <th>H</th> </tr> </thead> <tbody> <tr><td>3 x 5</td><td>0.40</td><td>1.0</td><td>5.0</td><td>5.0</td></tr> <tr><td>4 x 5</td><td>0.45</td><td>1.5</td><td>5.0</td><td>5.0</td></tr> <tr><td>5 x 5</td><td>0.45</td><td>2.0</td><td>5.0</td><td>5.0</td></tr> <tr><td>6.3 ~ 8 x 5</td><td>0.45</td><td>2.5</td><td>5.0</td><td>5.0</td></tr> <tr><td>4 x 7</td><td>0.45</td><td>1.5</td><td>5.0</td><td>5.0</td></tr> <tr><td>5 x 7 ~ 11</td><td>0.5</td><td>2.0</td><td>5.0</td><td>5.0</td></tr> <tr><td>6 x 7 ~ 15</td><td>0.5</td><td>2.5</td><td>5.0</td><td>5.0</td></tr> <tr><td>8 x 7 ~ 9</td><td>0.5</td><td>3.5</td><td>5.0</td><td>5.0</td></tr> <tr><td>8 x 11.5 ~ 20</td><td>0.6</td><td>3.5</td><td>5.0</td><td>5.0</td></tr> <tr><td>10</td><td>0.6</td><td>5.0</td><td>-</td><td>4.5</td></tr> <tr><td>12.5</td><td>0.6</td><td>5.0</td><td>-</td><td>4.5</td></tr> <tr><td>16</td><td>0.8</td><td>7.5</td><td>-</td><td>4.5</td></tr> <tr><td>18</td><td>0.8</td><td>7.5</td><td>-</td><td>4.5</td></tr> <tr><td>22</td><td>1.0</td><td>10.0</td><td>-</td><td>4.5</td></tr> <tr><td>25</td><td>1.0</td><td>12.5</td><td>-</td><td>4.5</td></tr> </tbody> </table>	D x L	d	F	F'	H	3 x 5	0.40	1.0	5.0	5.0	4 x 5	0.45	1.5	5.0	5.0	5 x 5	0.45	2.0	5.0	5.0	6.3 ~ 8 x 5	0.45	2.5	5.0	5.0	4 x 7	0.45	1.5	5.0	5.0	5 x 7 ~ 11	0.5	2.0	5.0	5.0	6 x 7 ~ 15	0.5	2.5	5.0	5.0	8 x 7 ~ 9	0.5	3.5	5.0	5.0	8 x 11.5 ~ 20	0.6	3.5	5.0	5.0	10	0.6	5.0	-	4.5	12.5	0.6	5.0	-	4.5	16	0.8	7.5	-	4.5	18	0.8	7.5	-	4.5	22	1.0	10.0	-	4.5	25	1.0	12.5	-	4.5
D x L	d	F	F'	H																																																																															
3 x 5	0.40	1.0	5.0	5.0																																																																															
4 x 5	0.45	1.5	5.0	5.0																																																																															
5 x 5	0.45	2.0	5.0	5.0																																																																															
6.3 ~ 8 x 5	0.45	2.5	5.0	5.0																																																																															
4 x 7	0.45	1.5	5.0	5.0																																																																															
5 x 7 ~ 11	0.5	2.0	5.0	5.0																																																																															
6 x 7 ~ 15	0.5	2.5	5.0	5.0																																																																															
8 x 7 ~ 9	0.5	3.5	5.0	5.0																																																																															
8 x 11.5 ~ 20	0.6	3.5	5.0	5.0																																																																															
10	0.6	5.0	-	4.5																																																																															
12.5	0.6	5.0	-	4.5																																																																															
16	0.8	7.5	-	4.5																																																																															
18	0.8	7.5	-	4.5																																																																															
22	1.0	10.0	-	4.5																																																																															
25	1.0	12.5	-	4.5																																																																															
Cut (3 ~ 25 )	CC																																																																																		
Bending Cut (5 ~ 25 )	BC		<table border="1"> <thead> <tr> <th>D x L</th> <th>d</th> <th>F±0.5</th> </tr> </thead> <tbody> <tr><td>5 X 11</td><td>0.5</td><td>2.0</td></tr> <tr><td>6.3 X 11 ~ 15</td><td>0.5</td><td>2.5</td></tr> <tr><td>8 X 11.5 ~ 20</td><td>0.6</td><td>3.5</td></tr> <tr><td>10</td><td>0.6</td><td>5.0</td></tr> <tr><td>12.5</td><td>0.6</td><td>5.0</td></tr> <tr><td>16</td><td>0.8</td><td>7.5</td></tr> <tr><td>18</td><td>0.8</td><td>7.5</td></tr> <tr><td>22</td><td>1.0</td><td>10.0</td></tr> <tr><td>25</td><td>1.0</td><td>12.5</td></tr> </tbody> </table>	D x L	d	F±0.5	5 X 11	0.5	2.0	6.3 X 11 ~ 15	0.5	2.5	8 X 11.5 ~ 20	0.6	3.5	10	0.6	5.0	12.5	0.6	5.0	16	0.8	7.5	18	0.8	7.5	22	1.0	10.0	25	1.0	12.5																																																		
D x L	d	F±0.5																																																																																	
5 X 11	0.5	2.0																																																																																	
6.3 X 11 ~ 15	0.5	2.5																																																																																	
8 X 11.5 ~ 20	0.6	3.5																																																																																	
10	0.6	5.0																																																																																	
12.5	0.6	5.0																																																																																	
16	0.8	7.5																																																																																	
18	0.8	7.5																																																																																	
22	1.0	10.0																																																																																	
25	1.0	12.5																																																																																	
(10 ~ 25 )	SD																																																																																		