

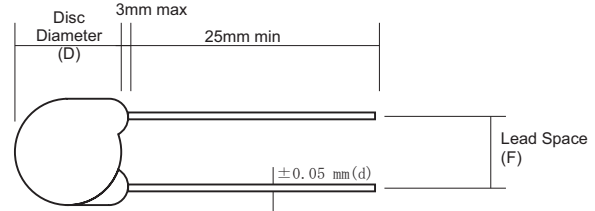
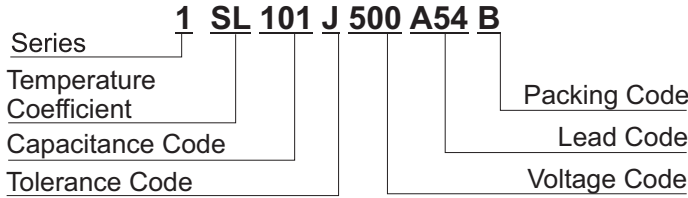
INTRODUCTION

Single layer metalized ceramic disc with resin coating (wax impregnated) below 1KV or epoxy coated 1KV up. Class1 material is the most temperature stable

FEATURES

- Low Capacitance 0.5pf~1200pf
- High Q
- High Temperature Stability
- Resonant Circuit Applications
- Timing Circuit Applications

PART NUMBER EXAMPLE



DIMENSIONS (mm) & CAPACITANCE RANGE

(F: Standard Lead Spacing. Other lead spacing may be available upon request.)

**** C0G Type not recommended for new designs. For C0G material, suggest RD Series**

Thickness	Voltage	4.0 mm max.												5.0				6.5		8.0	
		50 / 100V		500V/630V		1KV		2KV		3KV		5K / 6KV									
		CG	SL	CG	SL	CG	SL	CG	SL	CG	SL	CG	SL	SL	SL	SL					
0.5	0R5	D=5 F=2.5																			
1	1R0				D=5 F=2.5		D=5 F=2.5			D=6 F=5.0		D=7 F=5.0									
5.1	5R1																	D=7 F=9.5			
10	100																				
12	120																				
15	150																				
18	180					D=6 F=5.0		D=6 F=5.0		D=6 F=5.0				D=7 F=6.35							
20	200																				
22	220						D=5 F=2.5														
24	240																				
27	270																				
30	300		D=5 F=2.5					D=5 F=2.5													
33	330									D=8 F=6.35											
39	390					D=7 F=5.0		D=7 F=5.0									D=8 F=9.5				
47	470																				
51	510	D=6 F=2.5															D=9 F=9.5				
56	560																				
62	620					D=8 F=5.0		D=8 F=5.0		D=10 F=6.35				D=12 F=6.35			D=10 F=9.5				
68	680							D=6 F=5.0													
75	750	D=7 F=5.0				D=9 F=5.0		D=9 F=5.0									D=11 F=9.5				
82	820																D=14 F=9.5				
91	910					D=9 F=5.0				D=12 F=6.35											
100	101							D=10 F=5.0													
120	121	D=8 F=5						D=7 F=5.0													
130	131					D=10 F=5		D=12 F=6.35		D=14 F=9.5											
150	151																				
180	181	D=9 F=5																			
200	201		D=6 F=5.0																		
220	221	D=10 F=5																			
240	241																				
270	271		D=8 F=5.0					D=8 F=5.0													
300	301	D=12 F=5																			
330	331																				
390	391																				
470	471																				
510	511		D=9 F=5.0					D=10 F=5.0													
560	561																				
680	681																				
750	751		D=10 F=5.0					D=14 F=6.35													
850	851																				
1000	102																				
1200	122																				

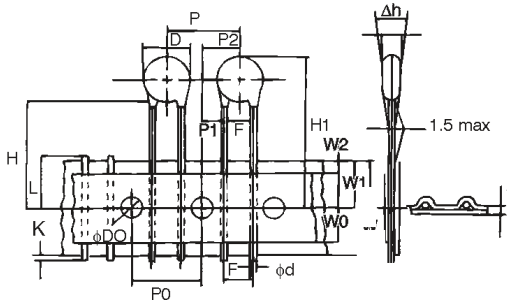
ELECTRICAL CHARACTERISTICS

Technical Data	Condition	Specification
Capacitance	1 MHz \pm 20%, 1 \pm 0.2 Vrms, 25°C \pm 2°C	0.5pF ~ 1200pF
Operating Temperature		-55°C ~ +85°C
Q	COG(NP0) SL C \geq 30pF C<30pF	Q \geq 1000 Q>400 + 20 X C (C is nominal Capacitance)
Insulation Resistance	rated voltage at 25°C \pm \geq °C and 70% R.H max	>10G Ω
Encapsulation	Standard 1KV and higher	Phenolic Wax Epoxy Coating
Solderability of Leads	at least 75 % covered	Solder temperature 260°C \pm 5°C Dipping: 3 \pm 0.5 sec (Flur shall be used)

TEMPERATURE COEFFICIENT CODE

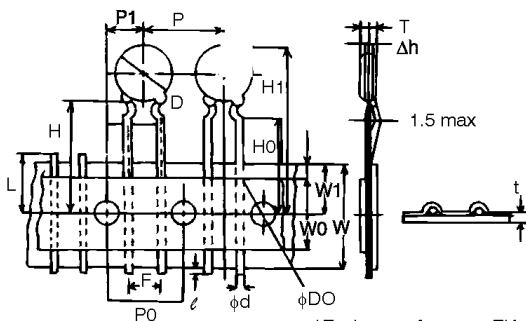
Temperature Characteristics			
Code	EIA Code	Characteristics.	
CG	COG (NPO)	0 \pm 30 PPM/°C	-55 °C to +85 °C
SL	S2L	-300 +500 PPM/°C	-55 °C to +85 °C
ZU	Z5U	+22 to -56%	+10 °C to +85 °C
ZV	Z5V	+22 to -82%	+10 °C to +85 °C
YE	Y5E	\pm 4.7 %	-30 °C to +85 °C
YP	Y5P	\pm 10 %	-30 °C to +85 °C
YU	Y5U	+22 to -56%	-30 °C to +85 °C
YV	Y5V	+22 to -82%	-30 °C to +85 °C
XR	X7R	\pm 15 %	-55 °C to +125 °C

RADIAL STRAIGHT-LEAD ON TAPE (S56 LEAD CODE)



RADIAL KINK-IN ON TAPE (K56 LEAD CODE)

*Most Popular



*Taping conforms to EIA-468

Code	Dimensions
D	11.0 max
d	0.6 \pm 0.05
P	12.7 \pm 1.0
P0	12.7 \pm 0.3
P1	3.85 \pm 0.7
P2	6.35 \pm 1.3
F	5.0 +0.8 -0.2
Δ h	0 \pm 2.0
W	18.0 +1.0 -0.5
W1	9.0 +0.75 -0.5
W2	3.0 max
H	18.0 +3.0 -0
H0	16.0 \pm 0.5
H1	32.25 max
K	1.0 max
D0	4.0 \pm 0.2
t	0.7 \pm 0.2
L	11.0 max

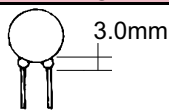
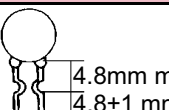
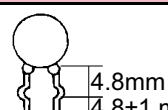

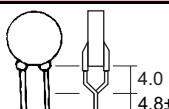
TOLERANCE CODE

Code	Tolerance
C	±0.25pF
D	±0.5pF
F	±1%
G	±2%
J	±5%
K	±10%
M	±20%

VOLTAGE CODE EXAMPLE

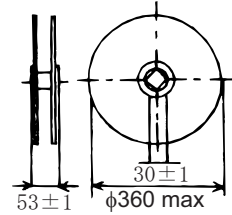
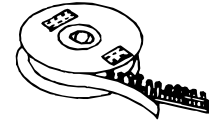
Code	500	501	502
WVDC	50V	500V	5KV

LEAD CODES FOR BULK PACK (CERAMIC DISC ONLY)

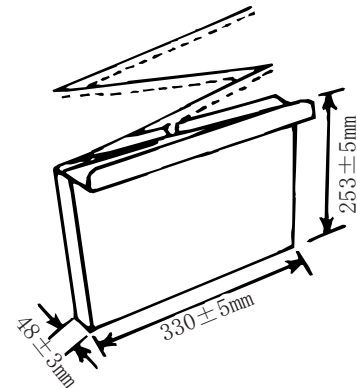
Lead Type		
A-Straight	C-Kink In	D-Kink Out
		
F-Special Length	Y-Y Formed	S & K-Taped
		See taping specifications above.

Lead Spacing (±1.00) in mm		Wire dia. (±0.05) in mm	
Code	P	Code	dφ
2	2.5	4	0.48
5	5	6	0.6
6	6.35	7	0.65
7	7.5	8	0.8
9	10.0	9	1.0
0	12.7		
A	15.0		

REEL PACK (R SUFFIX)



AMMO PACK (A SUFFIX)



HOW TO MAKE THE LEAD CODE FOR CERAMIC DISC (FOR BULK PACK ONLY)

